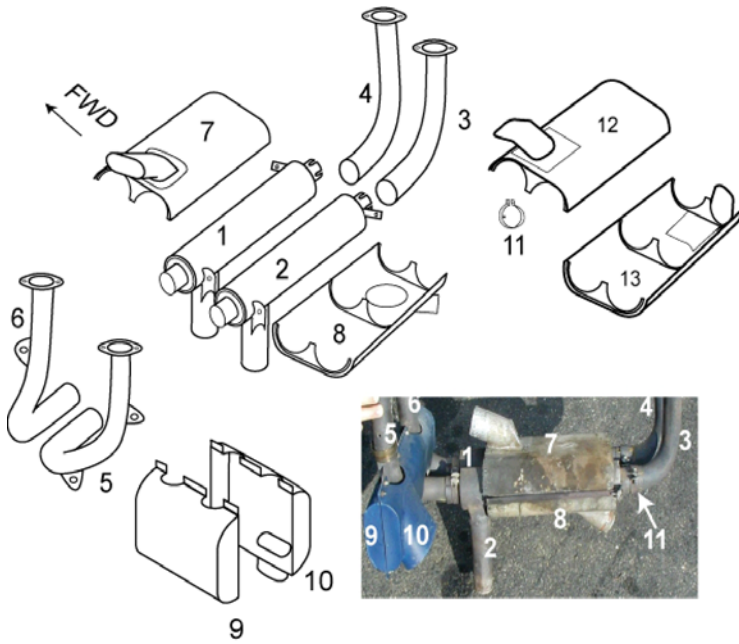


PIPER

28-180



Check body of mufflers for chafe marks where shroud rest on muffler. Make sure that the risers can be removed from the muffler. The end of the riser tube tends to mushroom out and seize up.

ITEM	OEM PART NO	DESCRIPTION	Condition
01	66894-00	FRONT MUFFLER sn 28-1761 to 28-3077	OH
03	32232-00	RR STACK	OH
03	66894-02	REAR MUFFLER sn 28-1761 to 28-3077	OH
04	62230-00	RF STACK	OH
05	62231-00	LR STACK 180 W/TAB	OH
06	62892-03	LF STACK 180 W/TAB	OH
07	63237-04	SHROUD TOP (W/SLIDE)	OH
08	63237-05	SHROUD BOTTOM (W/SLIDE)	OH
09	62981-06	LH CARB HEAT -180	OH
10	62981-07	RH CARB HEAT -180	OH
11	35655-02	PIN CLAMP 1.75"	NEW
12	65542-00	SHROUD TOP	OH
13	65543-00	SHROUD BOTTOM	OH