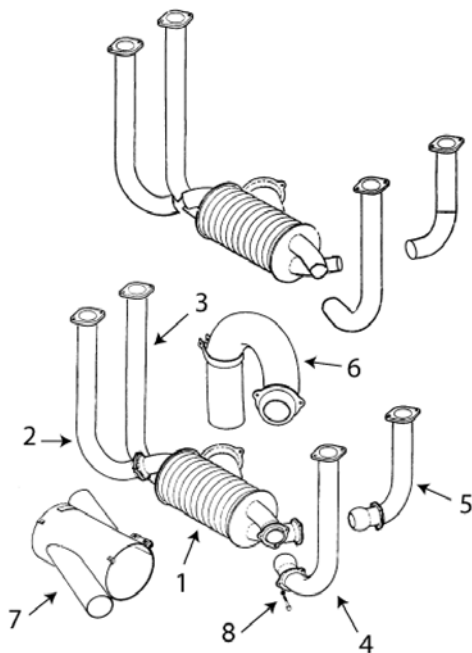


MOONEY**M-20 180 BALL RIB**

Ball joint style mufflers can be converted to slip joint style mufflers per Mooney Service Bulletin M20-152A.

Check for baffles, cracked or heat distortions on the muffler body. Shroud must be removed for complete muffler body inspection.

Muffler outershell are hydroformed to reduce stress



ITEM	OEM PART NO	DESCRIPTION	Condition
01	630060-001	180 BALL RIB MUFFLER	OH
02	630065-001	RF RISER	OH
03	630065-503	RR RISER	OH
04	630065-501	LF RISER	OH
05	630065-505	LR RISER 2-PIECE	OH
06	630066-00	TAIL PIPE	OH
07	630057-001	SHROUD	OH
07	630062-001	SHROUD	OH
08	630060-RSK	RISER SPRING KIT	NEW
NS	630060-TSK	TAILPIPE SPRING KIT	NEW
NS	77611	GASKET	NEW
NS	C10X-30-C	CLAMP	NEW
NS	C10Y-30-6C	CLAMP	NEW