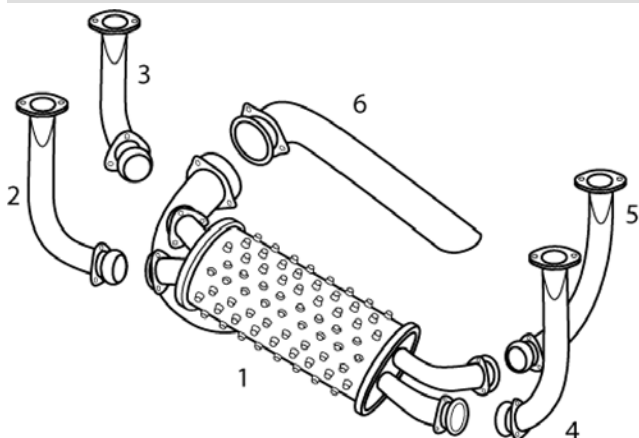


MOONEY

M20 180 BALL STUD M20C

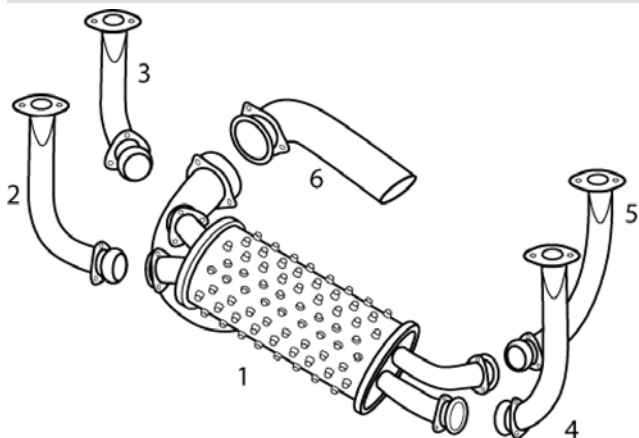


Smaller ball joint than rib style mufflers
 Check for baffles, cracked or heat distortions on the muffler body. Shroud must be removed for complete muffler body inspection.

Check end plates for cracking
 Check ball sockets for pitting and wear

ITEM	OEM PART NO	DESCRIPTION	Condition
01	850-49	180 BALL STUD MUFFLER	OH
02	850-76	RF RISER	OH
03	850-75	RR RISER	OH
04	850-77	LF RISER	OH
05	850-78	LR RISER	OH
06	637-35	TAILPIPE	OH
NS	637-139	SHROUD	OH
NS	77611	GASKET	NEW
NS	850-RSK	RISER SPRING KIT	NEW
NS	850-TSK	TAILPIPR SPRING KIT	NEW

M-20 200 BALL STUD



Smaller ball joints than rib style mufflers
 Check for baffles, cracked or heat distortions on the muffler body. Shroud must be removed for complete muffler body inspection.

Check end plates for cracking
 Check ball sockets for pitting and wear

ITEM	OEM PART NO	DESCRIPTION	Condition
01	850-69	200 BALL STUD MUFFLER	OH
02	850-14	RF RISER	OH
03	850-9	RR RISER	OH
04	850-18	LF RISER	OH
05	850-20	LR RISER	OH
06	850-3	TAILPIPE	OH
NS	77611	GASKET	NEW
NS	850-59	SHROUD	OH
NS	850-RSK	RISER SPRING KIT	NEW
NS	850-TSK	TAILPIPE SPRING KIT	NEW