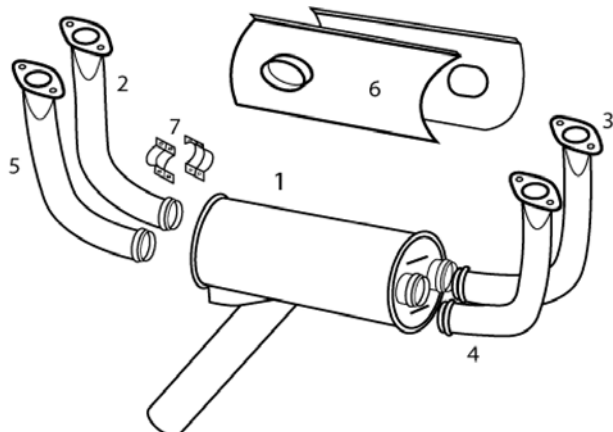


CESSNA

172R & 172S



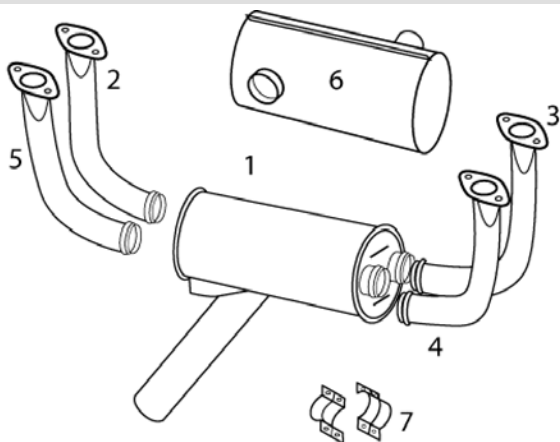
Muffler can is Inconel, without an internal baffle.

Risers are Stainless Steel

Look for yellow stains at base of tailpipe, muffler tends to crack inside the can and leak at the back of the tailpipe support. Pressure test muffler with soapy water to check for leaks.

ITEM	OEM PART NO	DESCRIPTION	Condition
01	9954100-9	MUFFLER (inconel)	OH
02	9954100-4	RR RISER (ss)	OH
03	9954100-5	LR RISER (ss)	OH
04	9954100-6	LF RISER (ss)	OH
05	9954100-7	RF RISER (ss)	OH
06	9954100-3	SHROUD	OH
07	0750161-25	1 3/4" RISER CLAMP HALF	NEW
NS	77611	GASKET	NEW

177 FG



Look for yellow stains at base of tailpipe, muffler tends to crack inside the can and leak at the back of the tailpipe support. Pressure test muffler with soapy water to check for leaks.

ITEM	OEM PART NO	DESCRIPTION	Condition
01	A1754001-25	MUFFLER	NEW
02	A1754007-1	RR RISER	NEW
03	1754008-3	LR RISER	OH
04	1754009-3	LF RISER	OH
05	A1754010-1	RF RISER	NEW
06	1754002-4	SHROUD	OH
07	0750161-25	1 3/4" RISER CLAMP HALF	NEW
NS	77611	GASKET	NEW