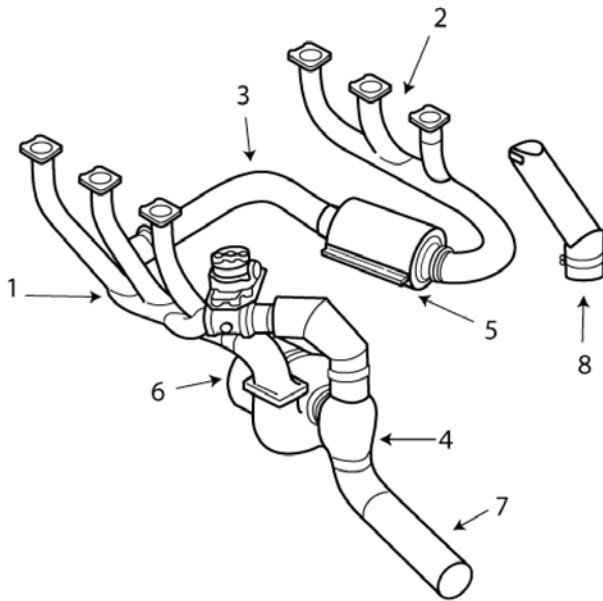


BEECHCRAFT
35 TURBO

AD 75-01-07 Remove connecting bellows.



ITEM	OEM PART NO	DESCRIPTION	Condition
01	286-S-35-074-13	LH STACK	OH
02	286-S-35-074-3	RH STACK	OH
03	286-S-35-074-7	CROSSOVER PIPE	OH
04	286-S-35-074-17	PLENUM ASSY	OH
05	8057-29	MUFFLER & HEAT SHROUD ASSY	OH
06	286-S-35-074-15	PLENEM ASSY	OH
07	286-S-35-074-19	TAIL PIPE	OH
08	286-S-35-091-21	HEAT SHIELD	OH
NS	628260	GASKET	NEW