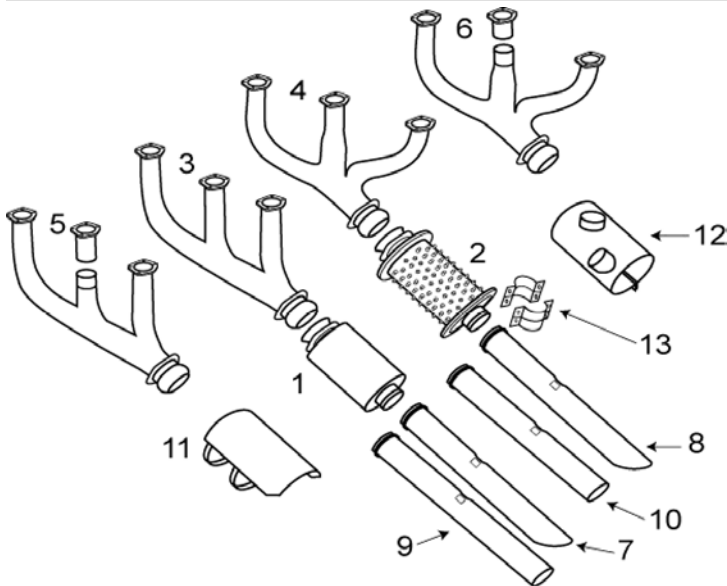


BEECHCRAFT**V35-A36**

Inspect stacks opposite of riser tubes for heat distortion and bulging.
Inspect inner baffle and outer body of muffler for bulging.

ITEM	OEM PART NO	DESCRIPTION	Condition
01	701-20	LH MUFFLER INCONEL CONE	OH
01	701-4	LH MUFFLER (STAINLESS STEEL CONE)	OH
02	701-19	RH MUFFLER INCONEL CONE	OH
02	701-5	RH MUFFLER (STAINLESS STEEL CONE)	OH
03	35-950005-1	LH STACK	OH
04	35-950005-29	RH STACK,W/ EGT BOSS	OH
04	35-950005-3	RH STACK	OH
05	35-950005-37	LH STACK	OH
06	35-950005-39	RH STACK	OH
07	35-950005-61	LH TAIL PIPE ANGLE CUT	NEW
08	35-950005-57	RH TAIL PIPE ANGLE CUT	NEW
09	35-950005-11	LH TAIL PIPE STRAIGHT CUT	OH
10	35-950005-9	RH TAILPIPE STRAIGHT CUT	OH
11	95-910019-25	HEAT SHIELD	OH
12	701-61	SHROUD	OH
13	35-950004-17	TAIL PIPE CLAMP (HALF)	NEW
NS	35-910019-13	SHROUD	OH
NS	35-950004-71	SHROUD	OH
NS	628260	GASKET	NEW
NS	701sk	SPRING KIT	NEW