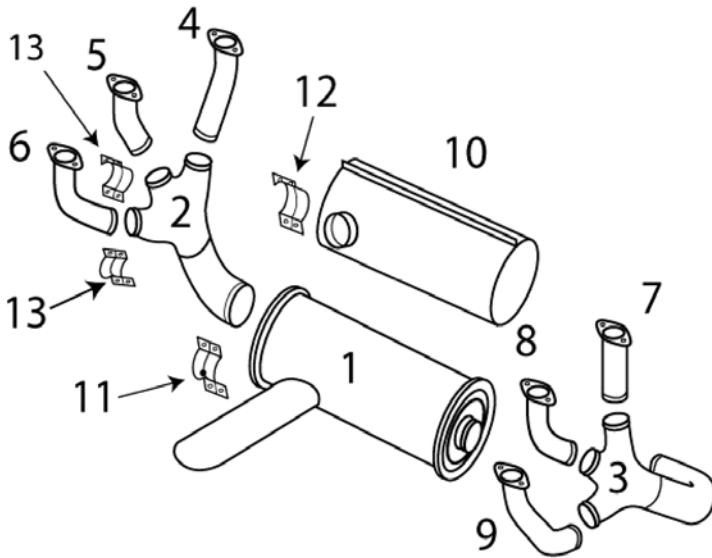


**CESSNA****172 XP**

Muffler has an internal baffle and it must be intact to be airworthy



ITEM	OEM PART NO	DESCRIPTION	Condition
01	1455009-3	MUFFLER	OH
02	1455014-31	RH COLLECTOR	OH
03	1455014-16	LH COLLECTOR	OH
04	1455014-27	CYL #1 RISER RR	OH
05	1455014-26	CYL #3 RISER RC	OH
06	1455014-25	CYL #5 RISER RF	OH
07	1455014-17	CYL #2 RISER LR	OH
08	1455014-18	CYL #4 RISER LC	OH
09	1455014-19	CYL #6 RISER LF	OH
10	1455009-2	SHROUD	OH
11	0750161-24	2 5/8" CLAMP -PIN	NEW
12	0750161-22	2 5/8" CLAMP -NO PIN	NEW
13	0750161-25	1 3/4" RISER CLAMP HALF	NEW
NS	970	GASKET	NEW