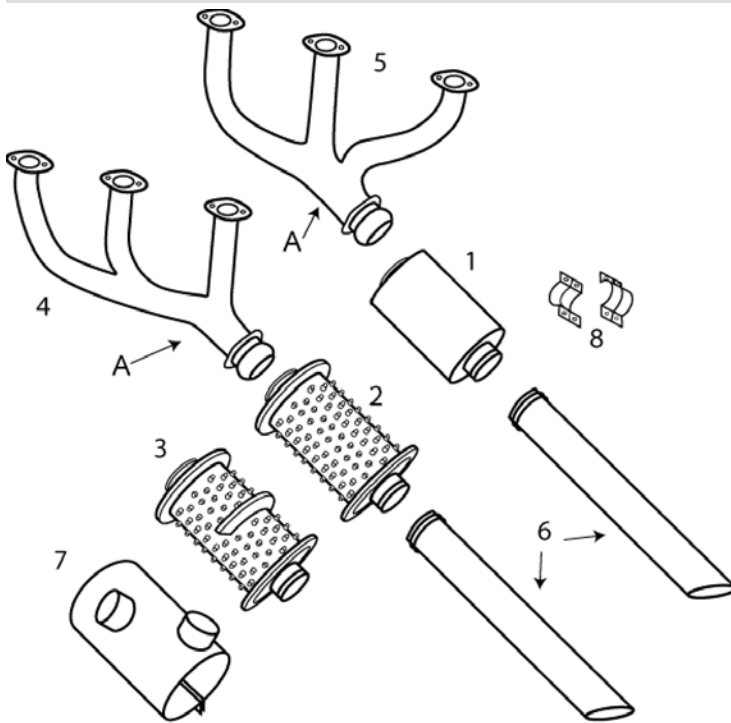


BEECHCRAFT

33 & 35 A-G

Inspect Stacks opposite of the risers for heat distortion, see area "A"
 Inspect inner baffle and outer body of muffler for bulging.



| ITEM | OEM PART NO | DESCRIPTION | Condition |
|------|-------------|----------------------------|-----------|
| 01 | 189 | RH MUFFLER | OH |
| 02 | 186 | LH MUFFLER | OH |
| 03 | 8003-16 | RH MUFFLER w/mid half ring | OH |
| 04 | 35-950118 | LH STACK | OH |
| 05 | 35-950116 | RH STACK | OH |
| 06 | 35-950133 | TAILPIPE | OH |
| 07 | 186-50 | SHROUD | OH |
| 08 | 186-8A | TAILPIPE CLAMP (HALF) | NEW |
| NS | 186-55 | SHROUD | OH |
| NS | 186SK | SPRING KIT | NEW |
| NS | 35-950128 | HEAT SHIELD | OH |
| NS | 627429 | GASKET | NEW |