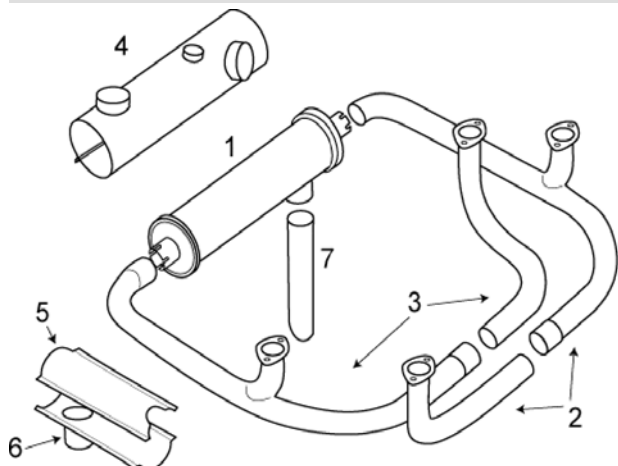


**BEECHCRAFT**

**19/23/24 MUSKETEER Version 1**



Slip joint assemblies should easily slide in and out of each other. Check slip joints for wear

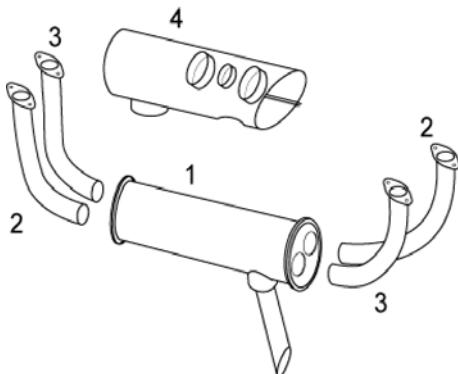
Check for loose muffler baffles by sticking a broom handle up the tailpipe to see if the baffles are attached to the muffler.

SN M1 THRU M554 & MB1 THRU MB480

ITEM	OEM PART NO	DESCRIPTION	Condition
01	169-950010-21	MUFFLER	OH
02	169-950006-95	FRONT STACK ASSY	OH
03	169-950006-07	REAR STACK ASSY	OH
04	169-950010-37	MUFFLER SHROUD	OH
05	169-950006-55	CARB HEAT TOP	OH
06	169-950006-49	CARB HEAT BOTTOM	OH
07	169-950010-19	TAILPIPE	OH
NS	77611	GASKET	NEW

**19/23/24 MUSKETEER Version 2**

SN M555 THRU M1094



ITEM	OEM PART NO	DESCRIPTION	Condition
01	169-950012-45	MUFFLER, 1 1/2" INLETS	OH
02	169-950013-9	RF & LR RISER	OH
03	169-950013-13	RR & LF RISER	OH
04	169-950012-41	MUFFLER SHROUD	OH
NS	77611	GASKET	NEW