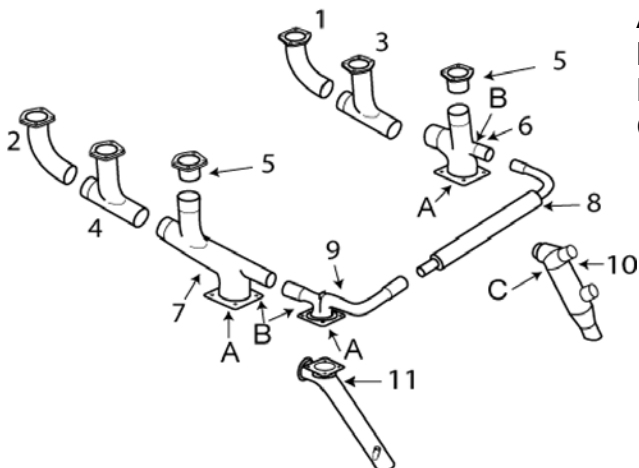


**PIPER**

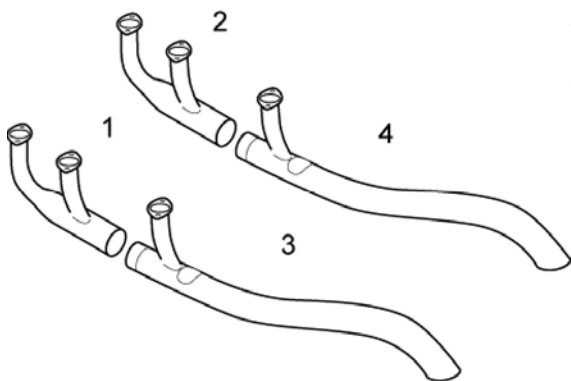
**46-310P MALIBU MIRAGE**



- A. Inspect for internal cracks, heat distortion and heat blisters
- B. Inspect slip joint area for cracks and bulging
- C. Inspect tailpipe shroud area for cracking

ITEM	OEM PART NO	DESCRIPTION	Condition
01	646463-910	RH ELBOW ASSY	OH
02	646463-106	LH ELBOW ASSY	OH
03	646463-990	RH CTR RISER	OH
04	646464-134	LH CTR RISER	OH
05	646463-201	ADAPTER	OH
06	646463-182	RH HEADER	OH
07	646463-181	LH HEADER	OH
08	646463-214	CROSSOVER	OH
09	646463-170	LH TAILPIPE	OH
09	646463-300	LH HEADER BYPASS	OH
10	646463-190	RH TAILPIPE	OH
NS	628260	GASKET	NEW

**60-600 AEROSTAR**



**AD 87-07-09** Inspect exhaust system welds using a dye penetrant for cracks and pin holes. Inspect tailpipes for pitting and wall thickness

Inspect tailpipes for pitting and wall thickness

ITEM	OEM PART NO	DESCRIPTION	Condition
01	320005-17	LF STACK	OH
02	320005-19	RF STACK	OH
03	320005-27	LH AFT	OH
04	320005-29	RH AFT	OH
NS	320006-13	LH AFT (SHORT)	OH
NS	320006-15	RH AFT (SHORT)	OH
NS	77611	GASKET	NEW