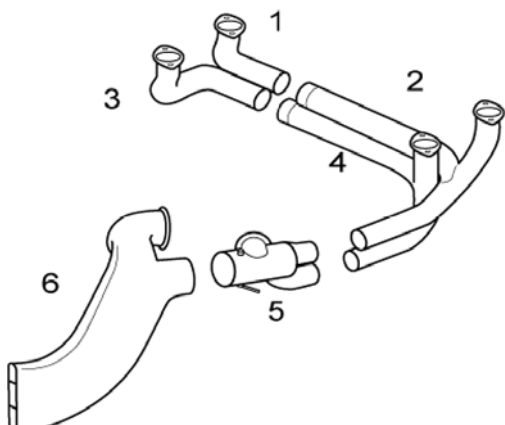


PIPER

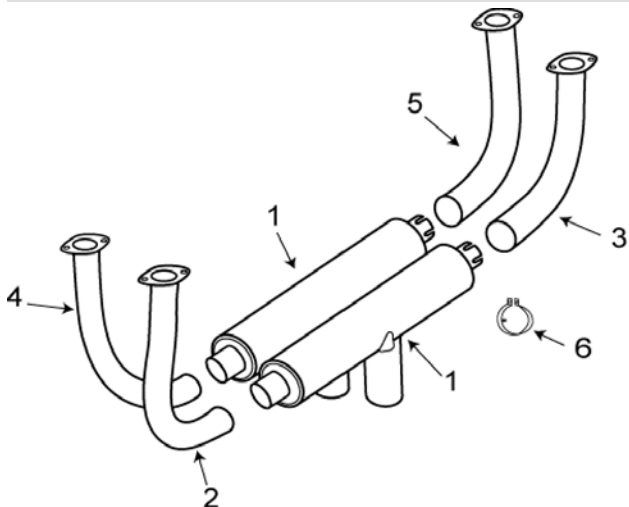
39 TURBO TWIN COMMANCHE



Ray Jay system
 Inspect entire tail pipe for cracks, heat distortion and internal erosion
 Inspect wastegate butterfly and shaft for heat distortion.
 Also inspect wastegate housing for cracking, heat distortion and warping

ITEM	OEM PART NO	DESCRIPTION	Condition
01	23580-10	LF STACK CYL # 2	OH
02	RJ0602-41	RF STACK CYL #1	OH
03	RJ0602-61	LR STACK CYL #4	OH
04	RJ0602-51	RR STACK CYL # 3	OH
05	RJ0603-11	WASTEGATE W/O SPRING	OH
06	RJ0604	TAIL PIPE	OH
NS	77611	GASKET	NEW
NS	RJ4120-11	WASTEGATE SPRING	NEW

44-180 SEMINOLE



Service Letter 860 regarding notches in muffler slip joints

Make sure that the risers can be removed from the muffler. The end of the riser tube tends to mushroom out and seize up.
 Check the mufflers for chaffing near tailpipe supports.

ITEM	OEM PART NO	DESCRIPTION	Condition
01	86299-07	MUFFLER	OH
02	86202-04	RF STACK	OH
03	86202-05	LF STACK	OH
03	89366-03	LF STACK S/N 4495001 + up	OH
04	86202-06	RR STACK	OH
04	89366-05	RR STACK S/N 4495001 + up	OH
05	86202-07	LR STACK	OH
05	89366-04	LR STACK S/N 4495001 + up	OH
06	CLAMP	MUFFLER PIN CLAMP 1.75"	NEW
NS	77611	GASKET	OH