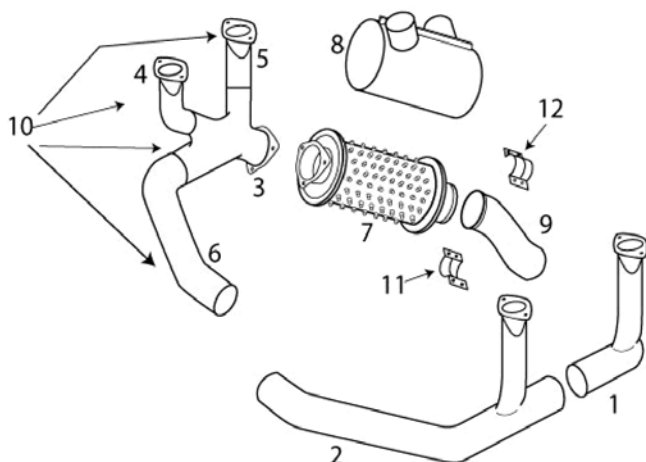


CESSNA**172 R/G**

AD 83-14-04 Requires modification of shroud and inspection of muffler shroud rings

AD 85-20-01 Requires holes to be drilled into muffler core

Slip joints tend to expand and "mushroom out" this prevents the removal and inspection of the component. Proper lubrication of slip joint assemblies will lead to longer service life.

ITEM	OEM PART NO	DESCRIPTION	Condition
01	2454000-16	LR RISER	OH
02	2454000-17	LF RISER	OH
03	2454000-4	RH COLLECTOR	OH
04	2454000-1	RF RISER	OH
05	2454000-12	RR RISER	OH
06	2454000-13	CROSSOVER	OH
07	C156020-0101	MUFFLER	OH
08	1254012-14	SHROUD	OH
09	2454000-15	TAIL PIPE	NEW
10	2454000-14	RH COLLECTOR ASSY	OH
11	0750161-22	2 5/8" CLAMP -NO PIN	NEW
12	0750161-24	2 5/8" CLAMP -PIN	NEW
NS	2454000-SK	SPRING KIT	NEW
NS	77611	GASKET	NEW