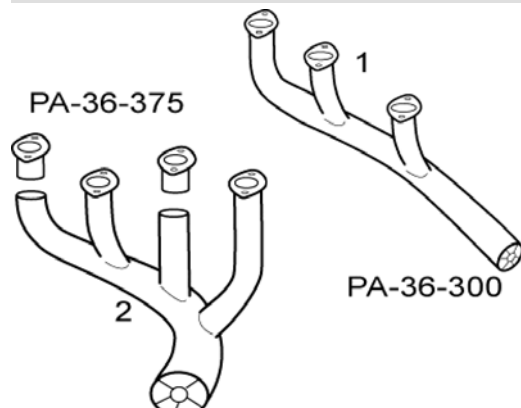


PIPER

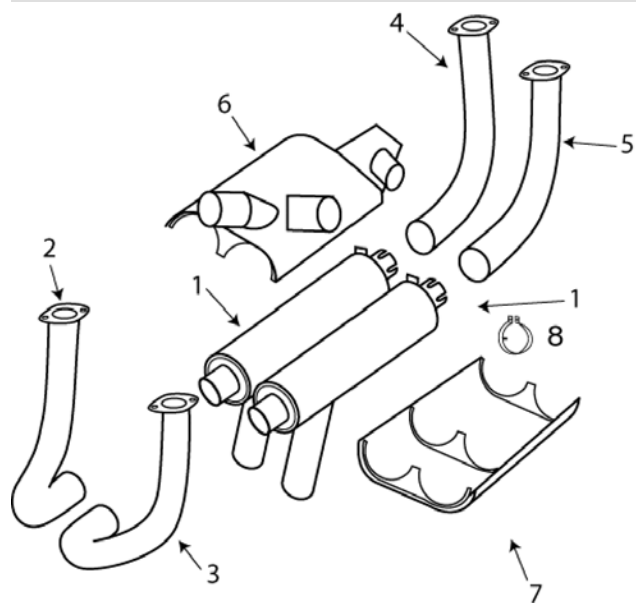
36-300 & 375 BRAVE



Inspect for cracks
Inspect tailpipe baffle

ITEM	OEM PART NO	DESCRIPTION	Condition
01	764-335	RH STACK 36-300	OH
01	764-336	LH STACK 36-300	OH
02	764-331	LH STACK 36-375	OH
02	764-332	RH STACK 36-375	OH

38-112 TOMAHAWK



Check body of mufflers for chafe marks where shroud rest on muffler. Make sure that the risers can be removed from the muffler. The end of the riser tube tends to mushroom out and seize up.

ITEM	OEM PART NO	DESCRIPTION	Condition
01	77669-02	MUFFLER	OH
02	77689-02	RR STACK	OH
03	77690-02	RF STACK	OH
04	77691-02	LR STACK	OH
05	77695-02	LF STACK	OH
06	77668-02	TOP SHROUD	OH
07	77666-02	BOTTOM SHROUD	OH
08	CLAMP	MUFFLER PIN CLAMP 1.75"	NEW
NS	77611	GASKET	NEW
NS	77666-03	BOTTOM SHROUD	OH
NS	77668-10	TOP SHROUD	OH
NS	77668-14	TOP SHROUD WITH BUTTERFLY	OH