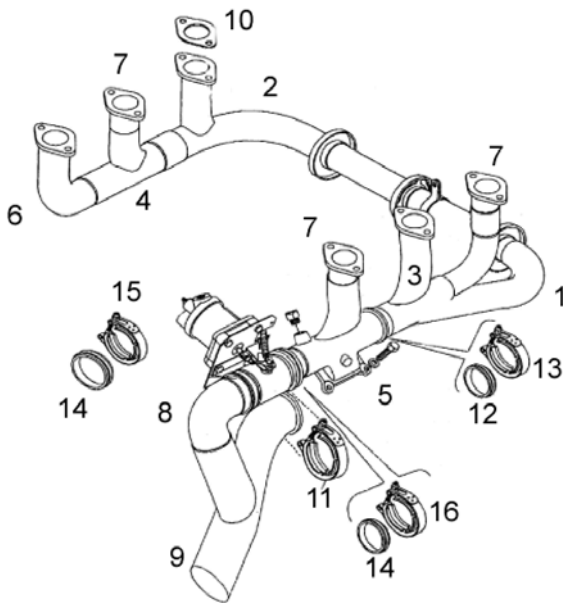


PIPER

32R-301T SARATOGA II TC



Check all slip joints for freedom of movement
 Inspect tailpipe for internal pitting and wall thickness
 Inspect transition for heat blisters
 Check stacks for cracks and heat distortion

ITEM	OEM PART NO	DESCRIPTION	Condition
01	40B22315	CYL #1	OH
02	40B22304	CYL #2	OH
03	40B22303	CYL #3	OH
04	40B21921	CYL #4	OH
05	47C21912	TRANSITION & CYL #5	OH
06	40B21919	CYL #6	OH
07	40B19840	EXHAUST PIPE ADAPTER	OH
08	40B22317	WASTEGATE PIPE	OH
09	40B22316	TAILPIPE	OH
10	77611	GASKET	NEW
11	40D21162-340M	CLAMP	NEW
12	78084	GASKET	NEW
13	LW12093-5	CLAMP	NEW
14	75845	GASKET	NEW
15	LW12093-6	CLAMP	NEW
16	LW12125-3	CLAMP	NEW