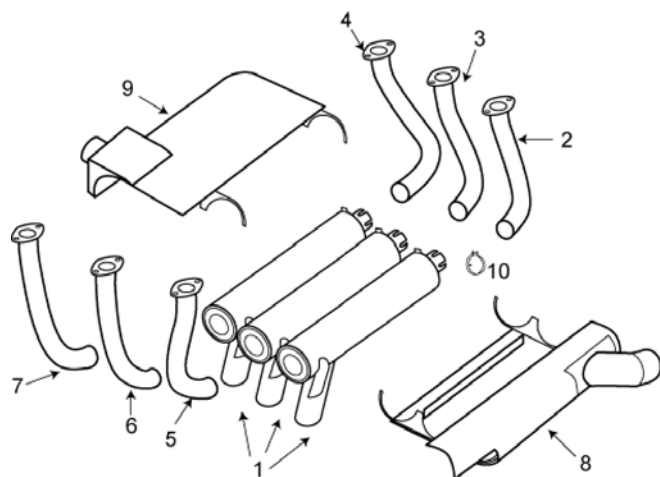


PIPER

32(R)-300 3 MUFLER SYS



Check body of mufflers for chafe marks where shroud rest on muffler.

Make sure that the risers can be removed from the muffler.
The end of the riser tube tends to mushroom out and size up.

1976 and up
S/N 32-7640001 and up

ITEM	OEM PART NO	DESCRIPTION	Condition
01	A67517-00	MUFFLER	NEW
02	38137-04	LF STACK	OH
03	38137-03	LC STACK	OH
04	38137-02	LR STACK	OH
05	38137-05	RF STACK	OH
06	38137-06	RC STACK	OH
07	38137-07	RR STACK	OH
08	38162-06	SHROUD BOTTOM	OH
09	38159-02	SHROUD TOP	OH
10	63243-02	MUFFLER PIN CLAMP 1.75"	NEW
NS	77611	GASKET	NEW