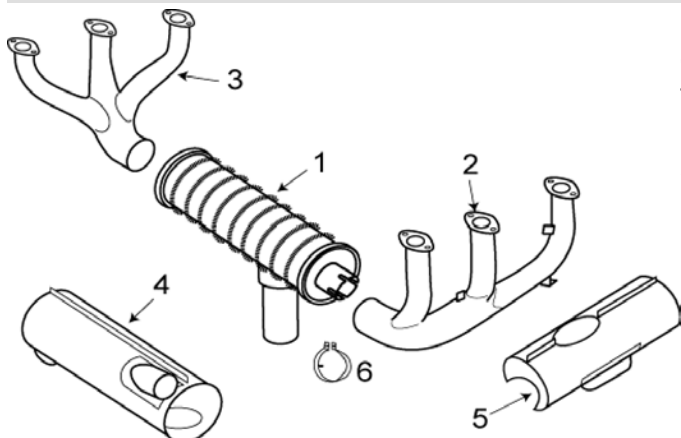


**PIPER**

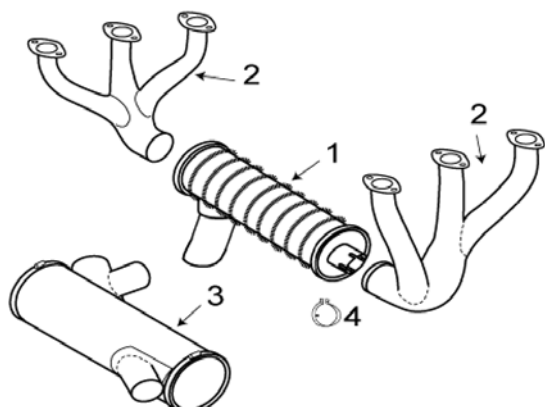
**32-260 CHEROKEE 6**



Check elbow of stack for cracks and heat distortion. Check muffler baffle or flame tube for distortion. Make sure that the stacks can be removed from muffler, the ends of the stacks tend to expand and mushroom out.

ITEM	OEM PART NO	DESCRIPTION	Condition
01	68718-00	MUFFLER	OH
02	65038-00	LH STACK	OH
03	65039-00	RH STACK	OH
04	69174-00	MUFFLER SHROUD	OH
05	69675-00	CARB HEAT SHROUD	OH
06	14235-03	MUFFLER PIN CLAMP 2.5"	NEW
NS	77611	GASKET	NEW

**32-300 SINGLE MUFFLER**



Check elbow of stack for cracks and heat distortion. Make sure that the stacks can be removed from muffler, the ends of the stacks tend to expand and mushroom out. Check muffler baffle or flame tube for distortion.

1965-1975  
S/N 32-4000 to 32-7540198

ITEM	OEM PART NO	DESCRIPTION	Condition
01	68796-00	MUFFLER	OH
02	68793-00	STACK ASSY	OH
03	68798-03	MUFFLER SHROUD	OH
04	14235-03	MUFFLER PIN CLAMP 2.5"	NEW
NS	77611	GASKET	NEW