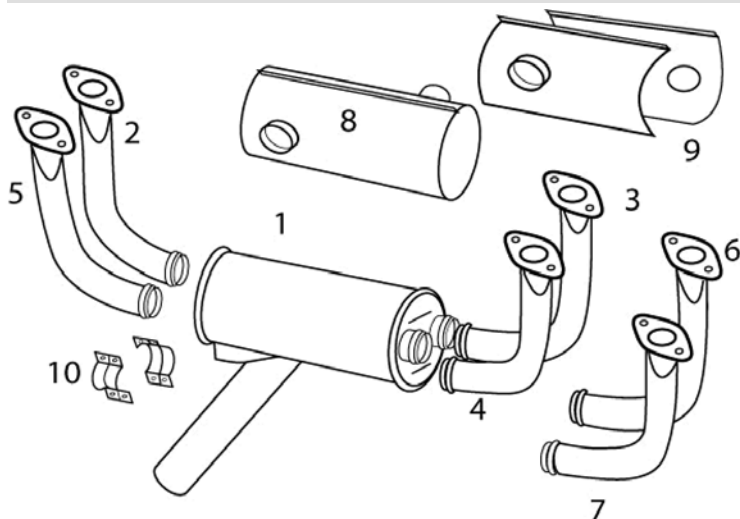


CESSNA

172 LYCOMING ENGINE



Part Number	Tailpipe	Baffles
1754001-1	15"	Yes
1754001-8	15"	No
1754001-9	15"	Yes
1754001-15	13"	Yes
1754001-18	13"	Yes
1754001-20	15"	No
1754001-21	15"	No
1754001-22	13"	No
1754001-23	13"	Yes
1754001-25	15"	No
0554011-1	15"	No

Look for yellow stains at base of tailpipe, muffler tends to crack inside the can and leak at the back of the tailpipe support. Pressure test muffler with soapy water to check for leaks.

Internal baffles must be intact on mufflers that require them for it to be airworthy.
Carb heat box attaches to RR Riser, check for chaffing on riser.

ITEM	OEM PART NO	DESCRIPTION	Condition
01	A1754001-25	MUFFLER	NEW
01	A1754001-9	MUFFLER	NEW
02	A1754007-1	RR RISER	NEW
03	A1754008-1	LR RISER	NEW
04	A1754009-1	LF RISER	NEW
05	A1754010-1	RF RISER	NEW
06	1754008-3	LR RISER-180HP (O-360)	OH
07	1754009-3	LF RISER-180HP (O-360)	OH
08	1754002-1	SHROUD	OH
09	0554001-9	SHROUD / TWO PIECE	OH
09	9954100-3	SHROUD / TWO PIECE	OH
10	0750161-25	1 3/4" RISER CLAMP HALF	NEW
NS	0552232-1	CARB BOX 2.5"	OH
NS	1740011-4	CARB BOX 2"	OH
NS	77611	GASKET	NEW