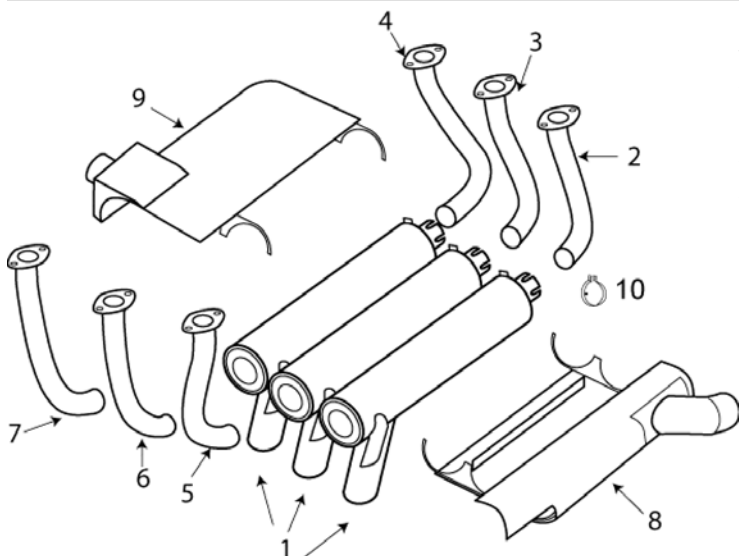


PIPER

28-236 DAKOTA

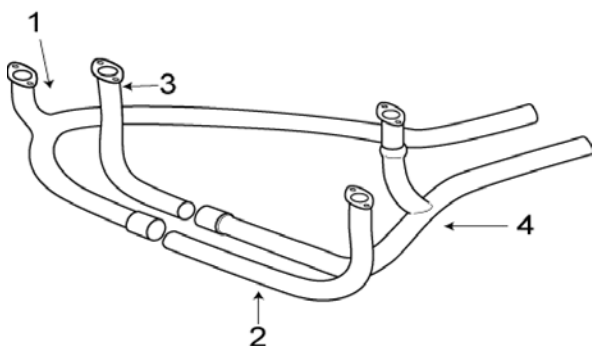
Check body of mufflers for chafe marks where shroud rest on muffler. Make sure that the risers can be removed from the muffler. The ends of the riser tubes tend to mushroom out and seize up inside of the muffler.



ITEM	OEM PART NO	DESCRIPTION	Condition
01	A67517-00	MUFFLER	NEW
02	35904-03	LF STACK	OH
03	35904-04	LC STACK	OH
04	35904-05	LR STACK	OH
05	35904-06	RF STACK	OH
06	35904-07	RC STACK	OH
07	35904-08	RR STACK	OH
08	38162-07	SHROUD BOTTOM	OH
09	38159-03	SHROUD TOP	OH
10	63243-02	MUFFLER PIN CLAMP 1.75"	NEW
NS	35934-02	CARB HEAT SHROUD	OH
NS	77611	GASKET	NEW

30 TWIN COMMANCHE

LR Stack part # 23850-12 dose not have a ball joint



ITEM	OEM PART NO	DESCRIPTION	Condition
01	23850-08	RF STACK	OH
02	23850-10	LF STACK	OH
03	23850-11	RR STACK	OH
04	23850-14	LR STACK	OH
NS	23850-12	LR STACK	OH
NS	77611	GASKET	NEW