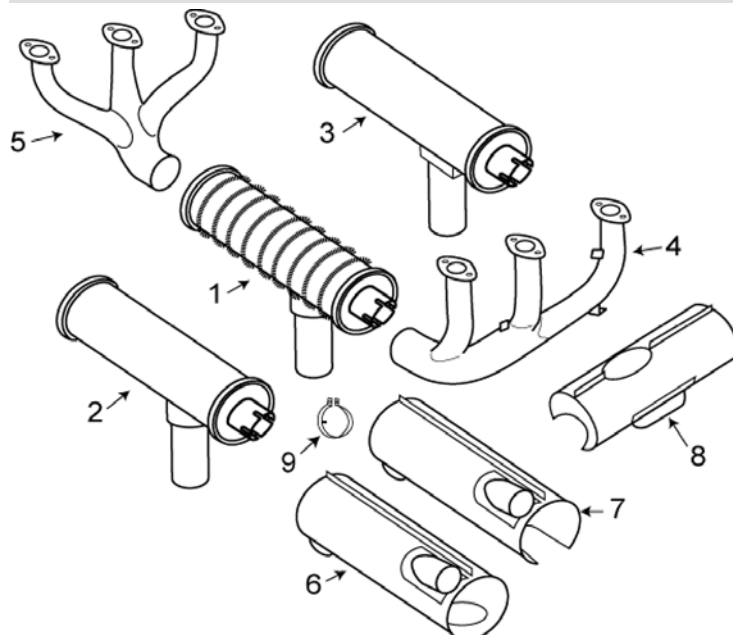


PIPER**28-235 CHEROKEE 6**

Mufflers have internal baffles and they must be intact to be airworthy.

Check collector for cracking and heat distortion.

Make sure that the stacks can be removed from the muffler.

The ends of the stacks tend to mushroom out and seize up inside the muffler.

ITEM	OEM PART NO	DESCRIPTION	Condition
01	68718-03	MUFFLER w/ FINS, ROUND CUFF	OH
02	65813-00	MUFFLER SMOOTH, ROUND CUFF	OH
03	65012-00	MUFFLER SMOOTH, SQUARE CUFF	OH
04	65038-00	LH STACK	OH
05	65039-00	RH STACK	OH
06	65418-00	MUFFLER SHROUD 28-10063 to 28-10985	OH
07	65810-00	MUFFLER SHROUD 28-10986 to 28-7210033	OH
08	69678-00	CARB HEAT SHROUD	OH
09	14235-08	CLAMP 2 1/2" (MUFFLER)	NEW
NS	65057-00	MUFFLER SHROUD 28-1003 to 28-10062	OH
NS	69174-00	MUFFLER SHROUD 28-731001 and up	OH
NS	77611	GASKET	NEW