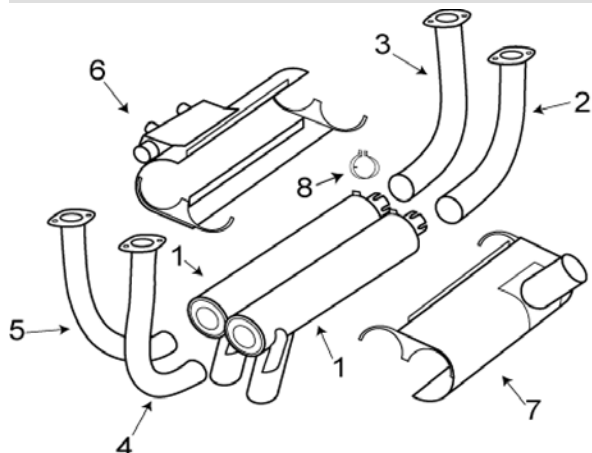


PIPER

28R-180 ARROW

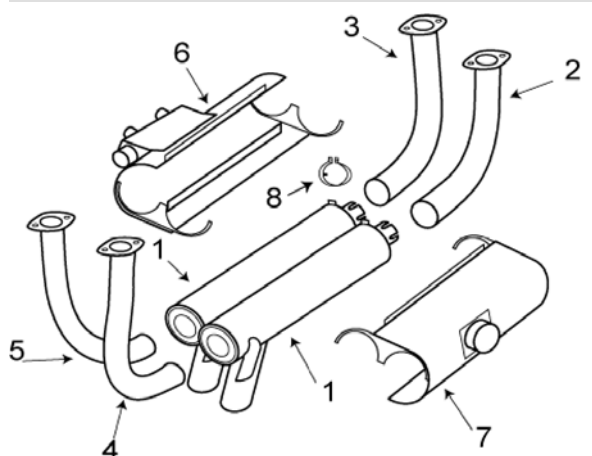


AD 80-19-01 Must have .030 gap between end plates on shrouds halves

Check body of mufflers for chafe marks where shroud rest on muffler. Make sure that the risers can be removed from the muffler. The end of the riser tube tends to mushroom out and seize up.

ITEM	OEM PART NO	DESCRIPTION	Condition
01	A67517-00	MUFFLER 180	NEW
02	67617-00	LF STACK 180	OH
03	67618-00	LR STACK 180	OH
04	67619-00	RF STACK 180	OH
05	67620-00	RR STACK 180	OH
06	67808-00	BOTTOM SHROUD 180/200	OH
07	67561-00	TOP SHROUD 180	OH
08	63243-02	PIN CLAMP 1.75"	NEW
NS	77611	GASKET	NEW

28R-200 ARROW



AD 80-19-01 Must have .030 gap between end plates of shroud.

Check body of mufflers for chafe marks where shroud rest on muffler. Make sure that the risers can be removed from the muffler. The end of the riser tube tends to mushroom out and seize up.

SN 28R-30482, 28R-35001 to 28R-7135238 use 180HP top shroud part # 67561-00

ITEM	OEM PART NO	DESCRIPTION	Condition
01	A67517-00	MUFFLER 200	NEW
02	67810-00	LF STACK 200	OH
03	67811-00	LR STACK 200	OH
04	67809-00	RF STACK 200	OH
05	67812-00	RR STACK 200	OH
06	67808-00	BOTTOM SHROUD 180/200	OH
07	99600-00	TOP SHROUD 200	OH
08	63243-02	MUFFLER PIN CLAMP 1.75"	NEW
NS	77611	GASKET	NEW