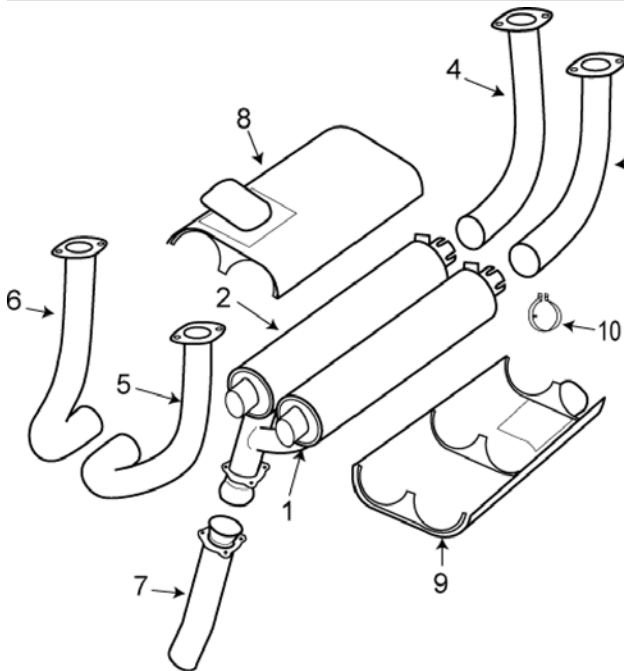


PIPER

28-181 2-MUFFLERS. 1-TAIL PIPE



Check body of mufflers for chafe marks where shroud rest on muffler. Make sure that the risers can be removed from the muffler. The end of the riser tube tends to mushroom out and seize up.

ITEM	OEM PART NO	DESCRIPTION	Condition
01	85477-02	FRONT MUFFLER	OH
02	85477-05	REAR MUFFLER	OH
03	35300-00	LF RISER	OH
04	62231-05	LR RISER	OH
05	62230-00	RF RISER	OH
06	62232-03	RR RISER	OH
07	85477-09	TAILPIPE	OH
08	99568-04	TOP SHROUD	OH
09	65543-02	BOTTOM SHROUD	OH
10	35655-02	1.75" PIN CLAMP	NEW
NS	77611	GASKET	NEW
NS	85477-SK	SPRING KIT	NEW