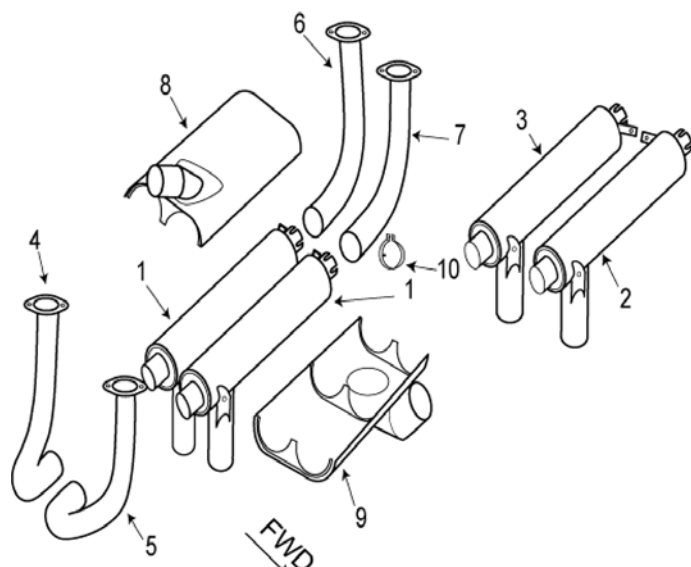


PIPER**28-151/161/180 DUAL MUFFLERS**

Check body of mufflers for chafe marks where shroud rest on muffler. Make sure that the risers can be removed from the muffler. The end of the riser tube tends to mushroom out and seize up.

ITEM	OEM PART NO	DESCRIPTION	Condition
01	A66894-03	PMA MUFFLER	NEW
02	66894-00	FRONT MUFFLER sn 28-1761 to 28-3077	OH
03	66894-02	REAR MUFFLER sn 28-1761 to 28-3077	OH
04	62232-00	RR STACK (ALL)	OH
05	37922-2	RF STACK (EXTRA BEND 161)	OH
05	62230-00	RF STACK	OH
06	35301-00	LR STACK 151/161	OH
06	62231-00	LR STACK 180 W/TAB	OH
06	67618-00	LR STACK 180 NO TAB	OH
07	35300-00	LF STACK 151/161	OH
07	62892-03	LF STACK 180 W/TAB	OH
07	67617-00	LF STACK 180 NO TAB	OH
08	99568-003	151/161 SHROUD TOP	OH
08	99568-02	151/161 SHROUD TOP	OH
09	35303-02	151/161 SHROUD BOTTOM	OH
09	35303-803	151/161 SHROUD BOTTOM	OH
10	35655-02	PIN CLAMP 1.75"	NEW
NS	35488-00	151/161 CARB HEAT SHROUD	OH
NS	62981-06	LH CARB HEAT -180	OH
NS	62981-07	RH CARB HEAT -180	OH
NS	63237-04	SHROUD TOP	OH
NS	63237-05	SHROUD BOTTOM	OH
NS	63705-02	RH CARB HEAT -160	OH
NS	63705-03	LH CARB HEAT PA 28-160	OH
NS	65542-00	SHROUD TOP	OH
NS	65543-00	SHROUD BOTTOM	OH
NS	77611	GASKET	NEW
NS	99568-00	SHROUD TOP	OH