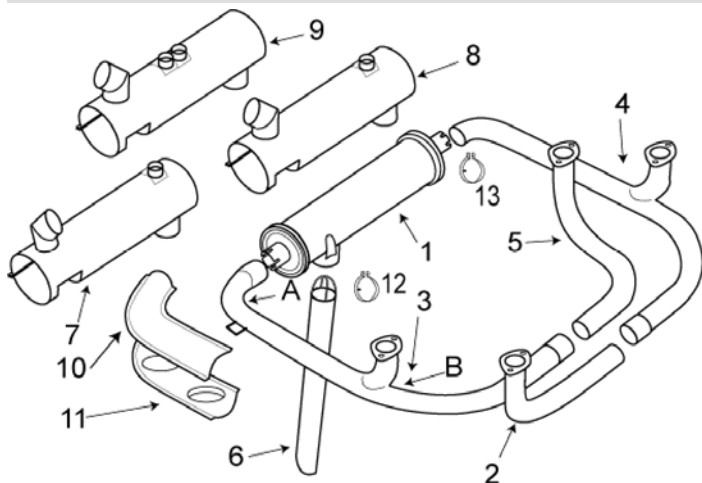


PIPER

28-140/160/180 SINGLE MUFFLER



AD 70-16-05 50 hr. or 100 hr. inspection on muffler part # 63627-00 or 63688-00. AD is not applicable when muffler part # 99482-00 or 99482-02 is installed.

Check for loose muffler baffles by sticking a broom handle up the tailpipe to see if the baffles are attached to the muffler.

- A. Check for heat distortion here
- B. Check for cracking here

Slip joint assemblies should easily slide in and out of each other. Check slip joints for wear

RF & LF Stack S/N 28-715472 + up riser legs are approximately 2" longer

PA 28-140 Muffler (O320) 99482-00 is 1" shorter than PA 28-160/180 Muffler (O360) 99482-02

ITEM	OEM PART NO	DESCRIPTION	Condition
01	99482-00	MUFFLER 140/160	OH
01	99482-02	MUFFLER 180	OH
02	63726-04	RF STACK	OH
02	99044-02	RF STACK sn 28-7125472 + up	OH
03	99044-04	RR STACK	OH
04	63726-02	LF STACK	OH
04	99044-05	LF STACK sn 28-7125472 + up	OH
05	99044-03	LR STACK	OH
06	63666-02	TAILPIPE	NEW
07	63652-02	SHROUD sn 28-1 to 28-1520	OH
08	62208-02	SHROUD sn 28-1521 to 28-1760 & 28-20002 to 28-24999	OH
09	66704-02	SHROUD sn 28-25000 & up	OH
10	63723-03	CARB HEAT TOP	OH
11	63723-02	CARB HEAT BOTTOM	OH
12	14235-000	TAILPIPE PIN CLAMP 2"	NEW
13	65442-03	CLAMP STACK PIN CLAMP 2"	NEW
NS	15006	AVCON MUFFLER	OH
NS	77611	GASKET	NEW