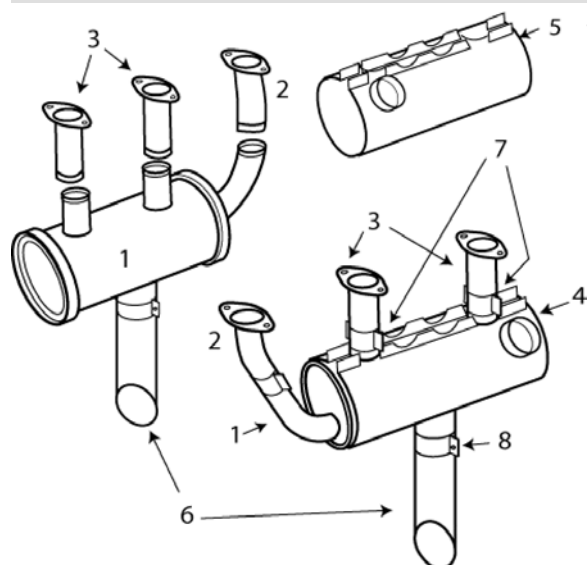


CESSNA**172 W CONTINENTAL O-300 ENGINE**

5 Smooth muffler, same for both RH & LH sides

Internal baffle is required for muffler to be airworthy.

ITEM	OEM PART NO	DESCRIPTION	Condition
01	A0550176-59	MUFFLER	NEW
01	A0550176-59A	MUFFLER WITH RISERS	NEW
02	A0550157-57	RISER CURVED	NEW
03	A0550157-7	RISER STRAIGHT	NEW
04	0550176-3	LH SHROUD	OH
04	0550176-37	LH SHROUD	OH
05	0550176-38	RH SHROUD	OH
05	0550176-4	RH SHROUD	OH
06	0550176-54	TAILPIPE	NEW
07	0750130-31	1 1/2" RISER CLAMP HALF	NEW
08	0550176-26	TAILPIPE CLAMP W/O PIN	NEW
08	0550176-31	TAILPIPE CLAMP WITH PIN	NEW
NS	627429	GASKET	NEW