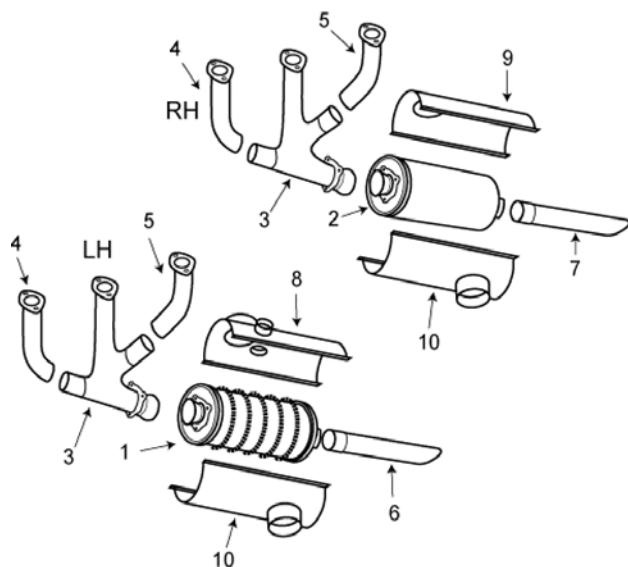


**PIPER****24-260 B COMANCHE**

**AD 68-05-01** for exhaust systems with less than 950 hr. time in service 100 hr. repetitive inspection of entire exhaust system and internal inspection of muffler. For systems with 950 hr. or more time in service the inspection requirement is every 50hrs. AD is not applicable when barrier device is installed per Service Letter 518.

ITEM	OEM PART NO	DESCRIPTION	Condition
01	26345-005	LH MUFFLER	OH
02	26345-006	RH MUFFLER	OH
03	24770-004	CENTER STACK	OH
04	24770-06	FRONT RISER	OH
05	24770-08	REAR RISER	OH
06	24787-02	LH TAIL PIPE	OH
07	24787-03	RH TAIL PIPE	OH
08	24861-00	TOP LEFT SHROUD	OH
09	24862-01	TOP RIGHT SHROUD	OH
10	24862-00	LOWER SHROUD	OH
NS	24260BSK	SPRING KIT	NEW
NS	24788-00	TAILPIPE CLAMP	NEW
NS	77611	GASKET	NEW