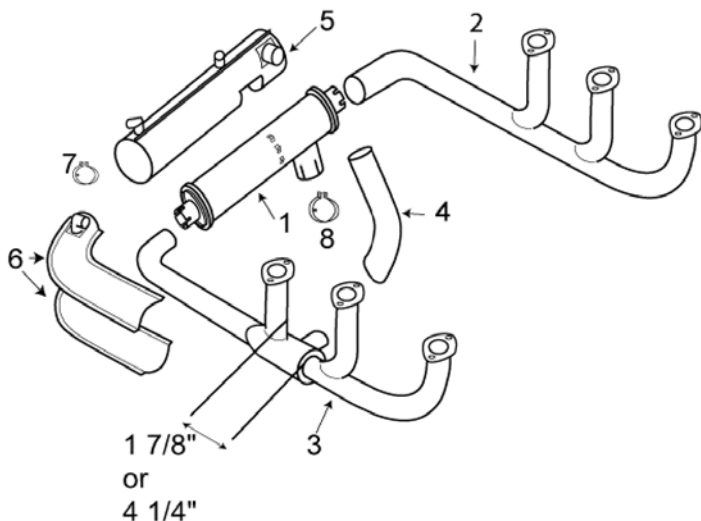


PIPER

24-250 COMANCHE



AD 68-05-01 for exhaust systems with less than 950 hr. time in service 100 hr. repetitive inspection of entire exhaust system and internal inspection of muffler. For systems with 950 hr. or more time in service the inspection requirement is every 50hrs. AD not required when hollow muffler part # 24506 or 26385 is installed in combination with muffler support kit.

Muffler has no baffles

Check tailpipe for thinning

Check under shroud take-off for cracking and heat distortion

Muffler part # 26385-00 supercedes part # 23159-00

Service Letter 414 (carb heat shroud)
When muffler #24506-00 is used, service letter 481 must be complied with.

ITEM	OEM PART NO	DESCRIPTION	Condition
01	24506-00	MUFFLER 2.5"ID	OH
01	26385-000	MUFFLER	OH
02	21664-002	LH STACK	OH
03	21664-03	RH STACK (1 7/8)	OH
03	23537-002	RH STACK (4 1/4)	OH
03	23537-03	RH STACK FUEL INJECTION	OH
04	21580-000	TAIL PIPE	NEW
05	23489-00	MUFFLER SHROUD	OH
05	23504-00	MUFFLER SHROUD	OH
06	756-777	CARB HEAT (U&L) for RH STACK 21664-03	OH
06	756-778	CARB HEAT (U&L) for RH STACK 23537-002	OH
07	14235-08	MUFFLER PIN CLAMP 2.5"	NEW
08	21167-00	TAIL PIPE CLAMP 3"	NEW
NS	21247-00	SHROUD CLIP	NEW
NS	77611	GASKET	NEW