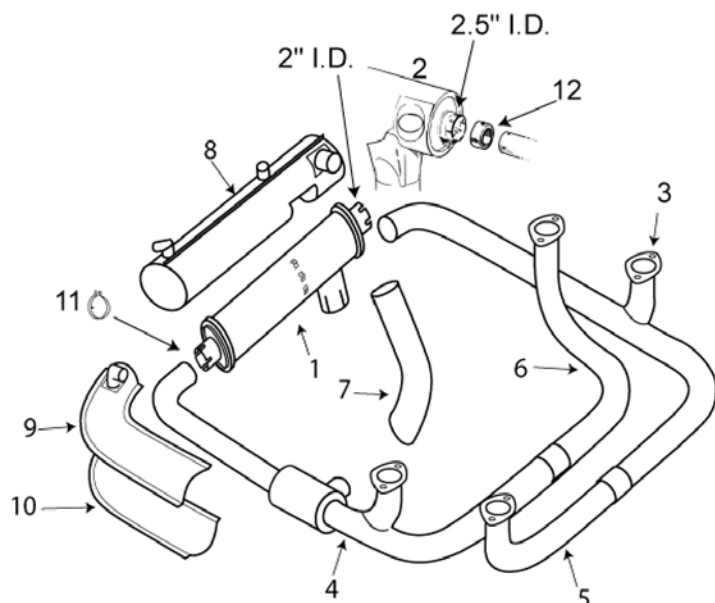


PIPER

24-180 COMANCHE



AD 68-05-01 for exhaust systems with less than 950 hr. time in service 100 hr. repetitive inspection of entire exhaust system and internal inspection of muffler. For systems with 950 hr. or more time in service the inspection requirement is every 50hrs. AD not required when hollow muffler part # 24506 or 26385 is installed.

Muffler does not have internal baffles

Check tailpipe for pitting and material thinning

ITEM	OEM PART NO	DESCRIPTION	Condition
01	22594-002	MUFFLER 2" ID	OH
02	24506-00	MUFFLER 2.5" ID	OH
03	21092-15	LF STACK	OH
04	21092-008	RR STACK	OH
05	21092-14	RF STACK	OH
06	21092-009	LR STACK	OH
07	21580-02	TAIL PIPE	NEW
08	21199-00	MUFFLER SHROUD	OH
09	21165-02	CARB HEAT TOP	OH
10	21165-03	CARB HEAT BOTTOM	OH
11	14235-08	2.5" PIN CLAMP-MUFFLER	NEW
12	25017-00	BUSHING ASSEMBLY MUFFLER ADAPTER	OH
NS	22093-00	CARB HEAT TOP	OH
NS	23503-00	MUFFLER SHROUD S/N 24-1 TOS/N 24-102	OH
NS	23504-00	MUFFLER SHROUD S/N 24-104 TO 24-2298	OH
NS	23507-00	MUFFLER SHROUD S/N 24-2175, 24-229 AND UP	OH
NS	77611	GASKET	NEW