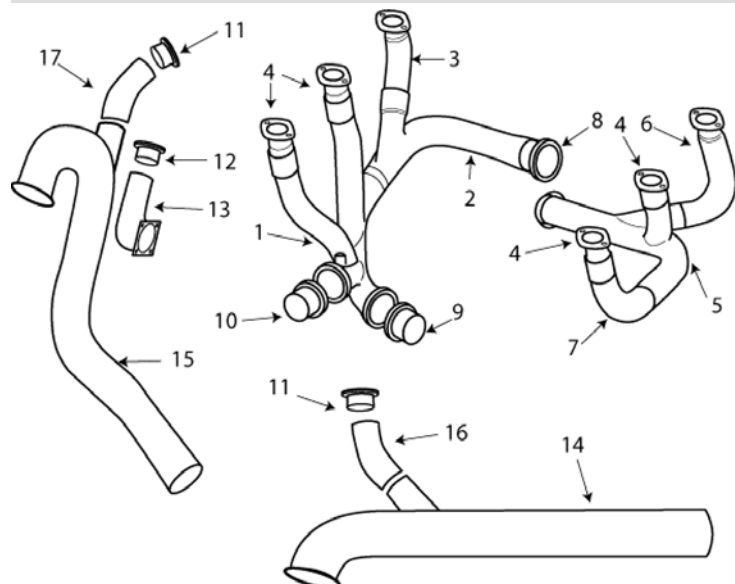


PIPER**23-250T LYCOMING SYSTEM**

Check all flanges for erosion and warping

Check for cracking and heat distortion

Check all slip joints for freedom of movement

ITEM	OEM PART NO	DESCRIPTION	Condition
01	LW12281	LH CYL #4 & #6	OH
02	LW16901	CROSSOVER CYL #2	OH
03	78687	RISER CYL #2	OH
04	78054	RISER	OH
05	78062	RH CYL #3	OH
06	78061	RISER CYL #1	OH
07	78063	ELBOW CYL #5	OH
08	LW16902	CROSSOVER FLANGE	NEW
09	78064	PLENUM FLANGE	NEW
10	LW11657	MALE WG FLANGE	NEW
11	LW11656	FEMALE WG FLANGE	NEW
12	LW11223	BY-PASS FLANGE	NEW
13	LW15417	TRANSITION	OH
14	32779-00	LH TAIL PIPE	OH
15	32781-00	RH TAIL PIPE	OH
16	32847-00	LH BY- PASS ELBOW	OH
17	32848-00	RH BY-PASS ELBOW	OH
NS	17189-225	2.25 V-BAND CLAMP SEAL	NEW
NS	4502-225	2.25 O.D. V-BAND CLAMP	NEW
NS	75845	2.25 V-BAND CLAMP SEAL	NEW
NS	77611	GASKET	NEW
NS	LW11654	CLAMP	NEW
NS	LW11655	U-BOLT	NEW
NS	LW12093-6	2.25 O.D. V-BAND CLAMP	NEW
NS	LW12778	WASTEGATE	OH