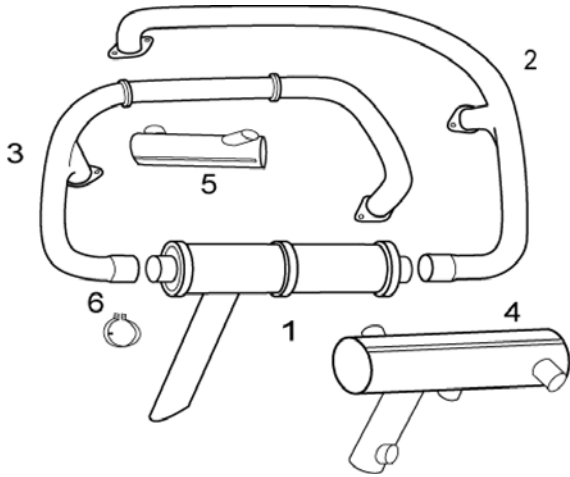


**PIPER**

**18 SUPER CUB**



**AD 68-05-01** for exhaust systems with less than 950 hr. time in service 100 hr. repetitive inspection of entire exhaust system and internal inspection of muffler. For systems with 950 hr. or more time in service the inspection requirement is every 50hrs.

System Shown is Lycoming O-320 150HP

125 + 135 HP versions use a Lycoming O-290 stacks are Part #  
 12457-002 Front Stack  
 12457-003 Rear Stack

ITEM	OEM PART NO	DESCRIPTION	Condition
01	12433-014	MUFFLER	OH
02	12457-12	FRONT STACK	OH
03	12457-13	REAR STACK	OH
04	12436-00	MUFFLER SHROUD	OH
05	14239-00	CROSSOVER SHROUD	OH
06	CLAMP	MUFFLER CLAMP 2"	NEW
NS	12457-02	FRONT STACK	OH
NS	12457-03	REAR STACK	OH
NS	77611	GASKET	NEW