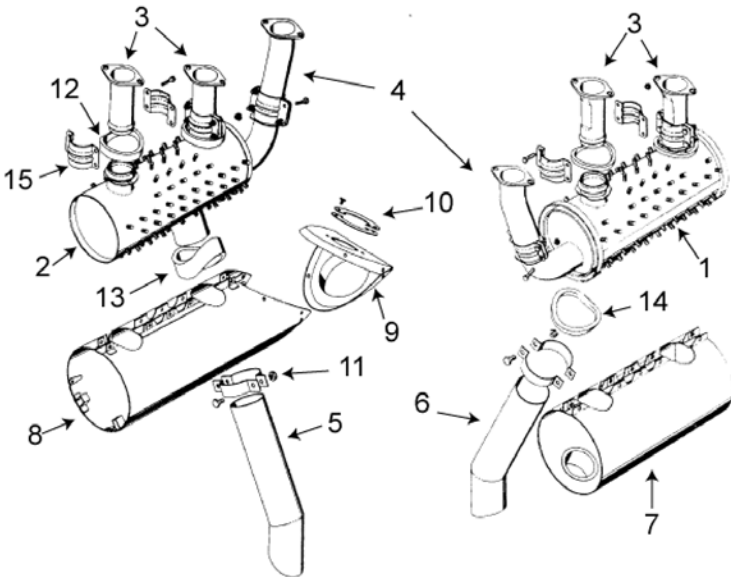


**CESSNA**

**170/172**



LH muffler has shroud rings at the end of the can

RH muffler dose not have any rings, shroud uses tabs to stand off muffler

Tailpipes just barely clear cowling

Internal baffle or flame cone is required for muffler to be airworthy.

ITEM	OEM PART NO	DESCRIPTION	Condition
01	0550157-9	LH MUFFLER	OH
02	0550157-32	RH MUFFLER	OH
03	A0550157-7	STRAIGHT RISER	NEW
04	0550157-8	CURVED RISER	NEW
05	0550157-33	RH TAIL PIPE	OH
06	0550157-4	LH TAIL PIPE	OH
07	0550157-15	LH SHROUD	OH
08	0550157-27	RH SHROUD	OH
09	07130192-32	SHROUD CAP	OH
10	0550157-53	SHROUD CAP ADAPTER	OH
11	0550157-5	TAILPIPE CLAMP	OH
12	0550157-29	UPPER SHROUD SEAL	OH
13	0550157-31	LOWER RH SHROUD SEAL	OH
14	0550157-30	LOWER LH SHROUD SEAL	OH
15	0550176-50	RISER CLAMP SET	NEW
NS	0550157CON-R	170 CONVERSION	OH
NS	627429	GASKET	NEW