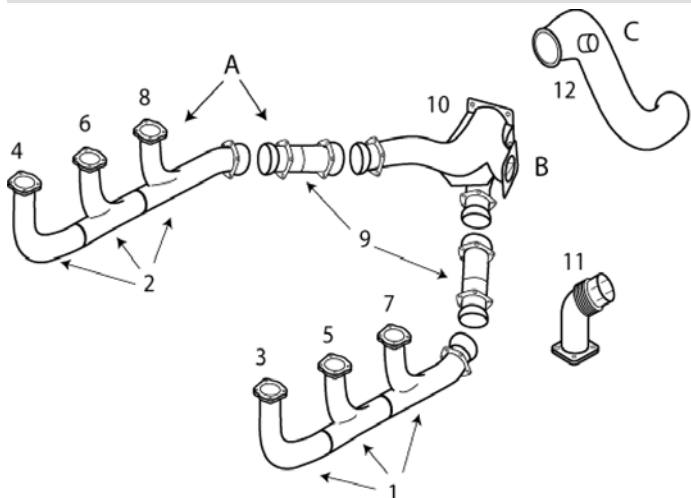


CESSNA

421C Golden Eagle III



Subject to AD 2000-01-16

AWI is authorized by the FAA to meet the overhaul requirements (paragraph "G") on AD 2000-01-16.

Visual inspection every 50 hrs. or 30 days
 Remove tailpipes inspect for cracks every 12 mo.
 Inspect & pressure test exhaust system every 12 mo.
 Replace multi-segment V-band clamps every 500 hrs.
 Remove the exhaust system from the slip joints aft to all turbo charger components every 2,500 hrs. or 12 yrs. which ever occurs first.

Pay special attention to:

- A Inspect all slip joints for movement
- B Check flow divider plate for cracks or distortion
- C Check tailpipe for internal pitting and wall thickness

ITEM	OEM PART NO	DESCRIPTION	Condition
01	9910295-15	LH STACK ASSY	OH
01	9910295-15	LH STACK ASSY INCONEL	OH
02	9910295-16	RH STACK ASSY	OH
02	9910295-16	RH STACK ASSY INCONEL	OH
03	5155166-7	LH FWD RISER	OH
03	9910295-1	LH FWD RISER INCONEL	OH
04	5155166-8	RH FWD RISER	OH
04	9910295-2	RH FWD RISER INCONEL	OH
05	5515566-9	LH CTR RISER	OH
05	9910295-3	LH CTR RISER INCONEL	OH
06	5155166-10	RH CENTER RISER	OH
06	9910295-4	RH CENTER RISER INCONEL	OH
07	5155169-1	LH AFT RISER	OH
07	9910295-7	LH AFT RISER INCONEL	OH
08	5155166-3	RH AFT RISER	OH
08	9910295-8	RH AFT RISER INCONEL	OH
09	9910296-2	SLIPJOINT inconel	OH
09	A9910296-7	SLIP JOINT S.S.	NEW
10	9910300-7	HEADER	OH
11	9910300-3	BYPASS ELBOW	OH
12	9910300-1	LH TAIL PIPE	OH
12	9910300-2	RH TAIL PIPE	OH
NS	1001-6	SPRING KIT	NEW
NS	9910300-4	RH HEAT SHEILD	OH
NS	9910300-5	LH HEAT SHEILD	OH
NS	9910300-HD	HARDWARE KIT (see inside of back cover)	NEW