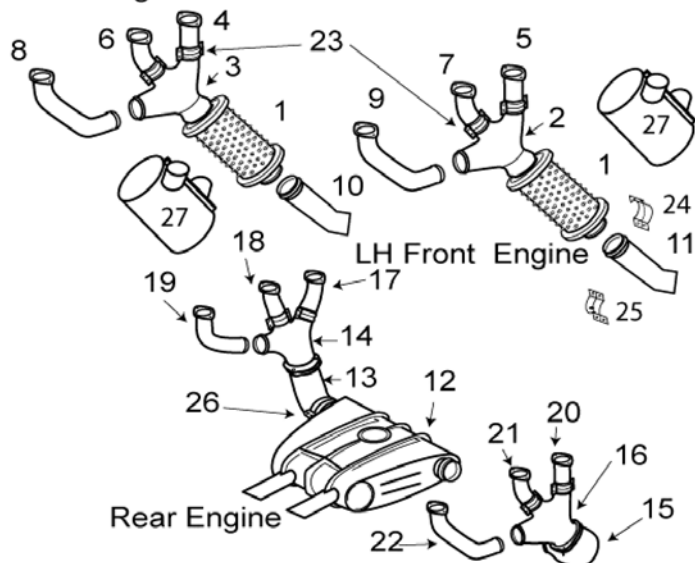


**CESSNA**

**337**

RH Front Engine

Please pay special attention to:  
 Rear muffler for cracking and corrosion  
 Front mufflers for bulging and internal  
 cones  
 Check all clamped connections for leaks



ITEM	OEM PART NO	DESCRIPTION	Condition
01	1250250-5	MUFFLER FRONT	OH
02	1555000-15	LH COLLECTOR FRONT	OH
03	1555000-14	RH COLLECTOR FRONT	OH
04	1455014-27	RR RISER	OH
05	1455014-17	LR RISER	OH
06	1455014-26	RC RISER	OH
07	1455014-18	LC RISER	OH
08	1455014-25	RF RISER	OH
09	1455014-19	LF RISER	OH
10	1554000-2	RH TAILPIPE	OH
11	1554000-1	LH TAILPIPE	OH
12	1555001-1	MUFFLER REAR	OH
13	1555011-13	LH ELBOW	OH
14	1555011-9	LH COLLECTOR REAR	OH
15	1555011-12	RH ELBOW	OH
16	1555011-10	RH COLLECTOR REAR	OH
17	1455014-27	LF RISER	OH
18	1455014-26	LC RISER	OH
19	1455014-25	LR RISER	OH
20	1455014-17	RF RISER	OH
21	1455014-18	RC RISER	OH
22	1455014-19	RR RISER	OH
23	1250860-29	1 3/4" RISER CLAMP 1/2	NEW
24	0750161-22	2 5/8" CLAMP -NO PIN	NEW
25	0750161-24	2 5/8" CLAMP -PIN	NEW
26	1555002-1	MUFFLER CLAMP	NEW
27	1250250-6	SHROUD	OH
NS	1554007-SK	SPRING KIT	NEW
NS	970	GASKET	NEW