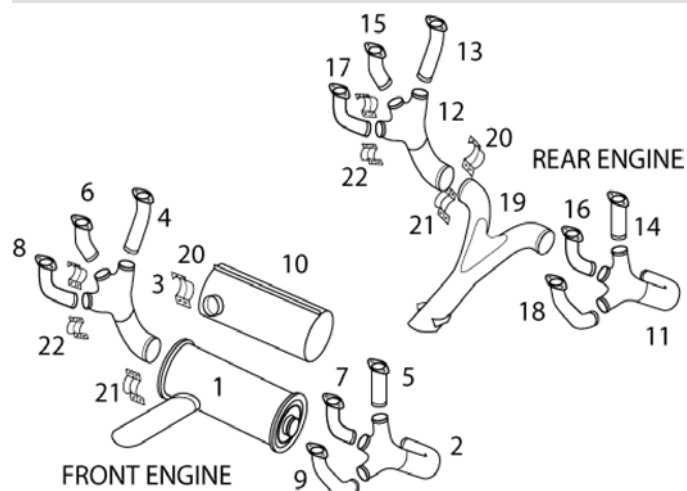


CESSNA**336**

Please pay special attention to:
 All clamps for leakage
 Rear engine tailpipe for pitting
 Check collectors for internal pitting
 and wall thickness
 Front engine muffler baffles must
 be intact for muffler to be airworthy

ITEM	OEM PART NO	DESCRIPTION	Condition
01	1455009-3	MUFFLER	OH
02	1455014-16	LH COLLECTOR ELBOW	OH
03	1455014-31	RH COLLECTOR ELBOW	OH
04	1455014-27	CYL #1 RISER	OH
05	1455014-17	CYL #2 RISER	OH
06	1455014-26	CYL #3 RISER	OH
07	1455014-18	CYL #4 RISER	OH
08	1455014-25	CYL #5 RISER	OH
09	1455014-19	CYL #6 RISER	OH
10	1455009-2	MUFFLER SHROUD	OH
11	1455014-32	RH COLLECTOR	OH
12	1344014-33	LH COLLECTOR	OH
13	1455011-27	CYL #1 RISER	OH
14	1455014-17	CYL # 2 RISER	OH
15	1455014-26	CYL #3 RISER	OH
16	1455014-18	CYL # 4 RISER	OH
17	1455014-25	CYL # 5 RISER	OH
18	1455011-19	CYL # 6 RISER	OH
19	1455010-1	REAR TAIL PIPE	OH
20	0750161-22	2 5/8" CLAMP -NO PIN	NEW
21	0750161-24	2 5/8" CLAMP -PIN	NEW
22	0750161-25	1 3/4" RISER CLAMP HALF	NEW
NS	970	GASKET	NEW