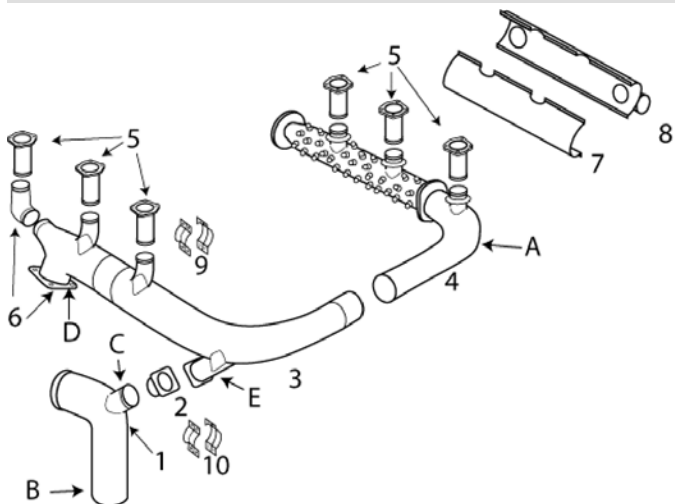


CESSNA

206/210 TURBO MODIFIED



AD 71-09-07R1 100hr inspection & pressure test heat exchanger

STC modified system eliminates the front crossover

Pay special attention to the following areas:

- A. Heat Distortion Bulging
- B. Internal Pitting and thinning
- C. Cracking
- D. Cracking and heat distortion
- E. Internal cracking on overlays

Must hold STC for repairs to be performed.

ITEM	OEM PART NO	DESCRIPTION	Condition
01	K1250860-110	TAILPIPE	OH
02	K1250860-78	TAILPIPE ADAPTER	OH
03	K1250860-104	RH EXHAUST	OH
04	K1250860m-203	LH EXHAUST	OH
05	K1250860-100	RISER	OH
06	K1250860m-105	TURBO INLET	OH
07	1250860-64	INBD SHROUD	OH
08	1250860-65	OTBD SHROUD	OH
09	1250860-29	1 3/4" RISER CLAMP HALF	NEW
10	1250860-28	TAILPIPE ADAPTER CLAMP HALF	NEW
NS	628260	GASKET	NEW