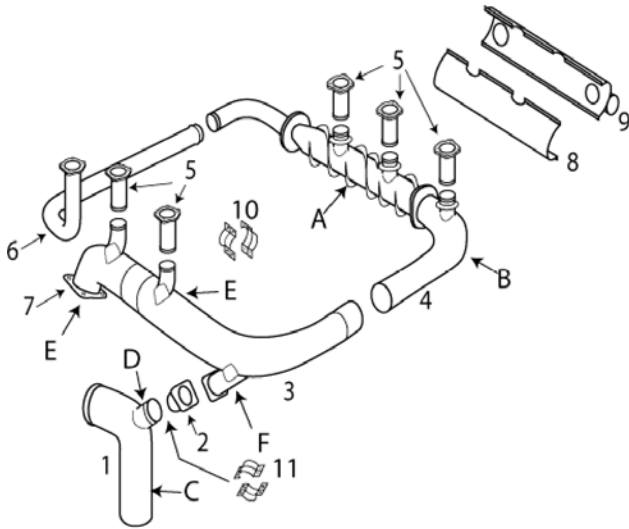


CESSNA

206/ 207/ 210 TURBO



AD 71-09-07R1 Every 50hrs. inspect and pressure test heat exchanger

Pay special attention to the following areas:

- A. Cracks on fins and internally on overlays
- B. Heat Distortion Bulging
- C. Internal Pitting and thinning
- D. Cracking
- E. Cracking and heat distortion
- F. Internal cracking on overlays

ITEM	OEM PART NO	DESCRIPTION	Condition
01	1250860-110	TAIL PIPE	OH
01	1250860-97	TAIL PIPE	OH
02	1250860-78	TAIL PIPE ADAPTER	OH
03	1250860-104	RF EXHAUST	OH
04	1250860-203	LEFT SIDE EXHAUST	OH
05	1250860-100	RISER	OH
06	1250860-90	CROSSOVER	OH
07	1250860-105	TURBO INLET	OH
08	1250860-64	INBD SHROUD	OH
09	1250860-65	OTBD SHROUD	OH
10	1250860-29	1 3/4" RISER CLAMP HALF	NEW
11	1250860-28	TAIL PIPE ADAPTER CLAMP HALF	NEW
NS	628260	GASKET	NEW