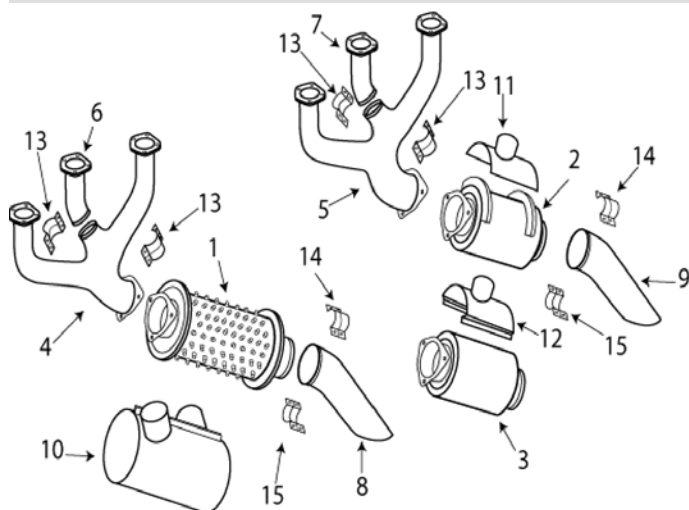


**CESSNA****206/207/210 CENTURION**

RH muffler may be smooth or have rings for a half shroud.

Collector is built up from body stampings  
Center riser is clamped on

Mufflers have internal baffles and they must be intact to be airworthy  
Check collector for cracking and heat distortion

ITEM	OEM PART NO	DESCRIPTION	Condition
01	1250250-5	LH MUFFLER	OH
01	650-43	LH MUFFLER	OH
01	C156020-0101	LH MUFFLER	OH
02	1250251-12	RH MUFFLER	OH
02	1250251-13	RH MUFFLER	OH
03	1250251-16	RH MUFFLER	OH
03	C156020-0201	RH MUFFLER	OH
04	1250263-2	LH COLLECTOR	OH
05	1250264-2	RH COLLECTOR	OH
06	1250250-7	LH CENTER RISER	OH
06	1254011-1	LH CENTER RISER	OH
07	1250251-9	RH CENTER RISER	OH
08	1250256-7	LH TAIL PIPE	NEW
09	1250264-6	RH TAILPIPE	NEW
10	1250250-6	LH SHROUD	OH
10	1250263-1	LH SHROUD	OH
10	2254001-1	LH SHROUD	OH
11	1250250-17	RH SHROUD	OH
12	2254026-1	RH SHROUD	OH
13	0750161-25	1 3/4" RISER CLAMP HALF	NEW
14	0750161-22	2 5/8" CLAMP -NO PIN	NEW
15	0750161-24	2 5/8" CLAMP -PIN	NEW
NS	1250250-SK	SPRING KIT	NEW
NS	628260	GASKET	NEW