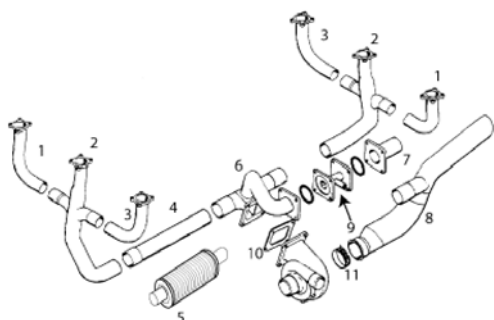


CESSNA

188 TURBO #1

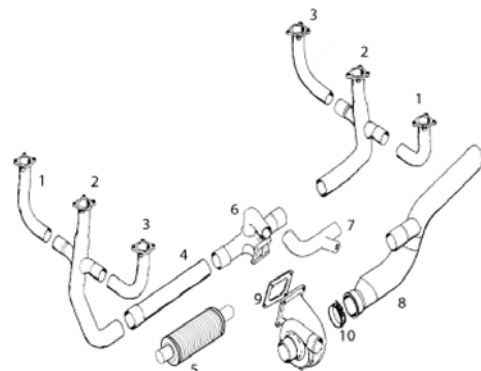


Common problem areas:

- Tailpipe erosion
- Collector Tee-heat distortion and cracking
- Header flow divider plate-heat distortion and cracking

ITEM	OEM PART NO	DESCRIPTION	Condition
01	624298	LH FWD & RH AFT RISER CYL # 1 & #6	OH
02	642499	TEE ASSY CYL #3 & #4	OH
03	642497	RH FWD & LH AFT RISER CYL #2 & #5	OH
04	642492	CROSSOVER TUBE	OH
05	3208672-93	HEAT MUFFLER	OH
06	642500	HEADER	OH
07	642611	BY PASS	OH
08	642510	TAILPIPE	OH
09	642873	WASTEGATE	OH
10	636465	GASKET	NEW
11	633358	TAILPIPE CLAMP	NEW
NS	1600128-1	SHROUD	OH

188 TURBO #2



Common problem areas:

- Tailpipe erosion
- Collector Tee-heat distortion and cracking
- Header flow divider plate-heat distortion and cracking

ITEM	OEM PART NO	DESCRIPTION	Condition
01	643878	LH FWD & RH AFT RISER CYL # 1 & #6	OH
02	643876	TEE ASSY CYL # 3 & #4	OH
03	643877	RH FWD & LH AFT RISER CYL # 2 & #5	OH
04	643879	CROSSOVER TUBE	OH
05	3208672-93	HEAT MUFFLER	OH
06	643880	HEADER	OH
07	643882	WASTEGATE SMALL BYPASS	OH
08	643881	TAILPIPE	OH
09	636465	GASKET	NEW
10	633358	TAILPIPE CLAMP	NEW