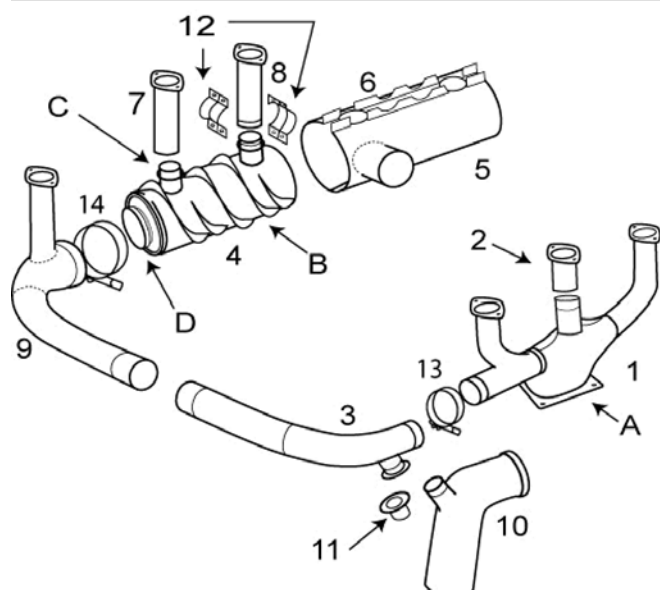


CESSNA**182 TURBO**

LH collector is built from body stampings

Check all parts for internal pitting and wall thickness, pay special attention to the following areas:

- A Cracking and bulging
- B Cracks at fins
- C Internal cracks in overlay support areas
- D Flange distortion at the mating surfaces

ITEM	OEM PART NO	DESCRIPTION	Condition
01	2254012-2	LH COLLECTOR INCONEL	OH
02	2254005-1	LH CENTER RISER INCONEL	OH
03	2254008-4	LF CROSSOVER	OH
04	2254015-1	HEATER CORE	OH
05	2254016-2	SHROUD HALF INBD	OH
06	2254016-1	SHROUD HALF OTBD	OH
07	2254005-3	RH CENTER RISER	OH
08	2254005-5	RH REAR RISER	OH
09	2254013-1	RF CROSSOVER	OH
10	2254010-1	TAIL PIPE	OH
11	2254009-1	TAIL PIPE ADAPTER	OH
12	1250860-29	1 3/4" RISER CLAMP HALF	NEW
13	24540-200	LH CROSSOVER & COLLECTOR CLAMP	NEW
14	24540-300	RH CROSSOVER & HEAT EXCHANGER CLAMP	NEW
NS	77611	GASKET	NEW