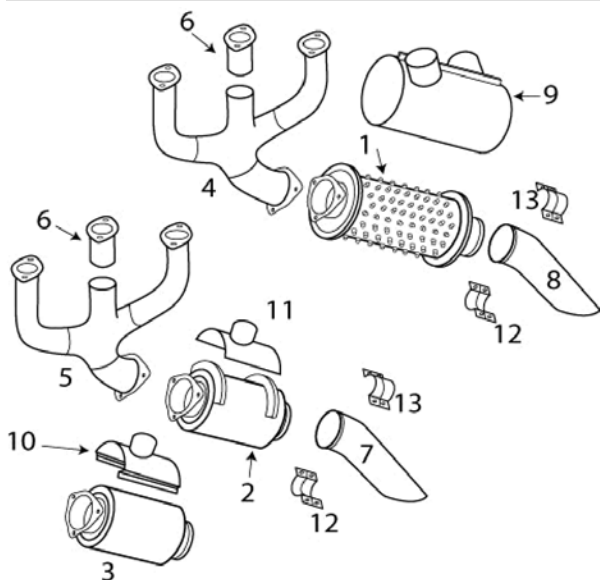


CESSNA

182 RG



Mufflers have internal baffles and they must be intact to be airworthy

Check collector for cracking and heat distortion
Collectors are built up with new body stampings

Check collector bodies for internal wear and pitting!

ITEM	OEM PART NO	DESCRIPTION	Condition
01	1250250-5	RH MUFFLER	OH
01	650-43	RH MUFFLER	OH
02	1250251-12	LH MUFFLER W/ SHROUD RING	OH
03	C156020-0201	LH MUFFLER W/O SHROUD RING	OH
04	2254003-4	RH COLLECTOR	OH
05	2254003-3	LH COLLECTOR	OH
06	2254000-1	CENTER RISER	OH
07	2254003-17	LH TAIL PIPE	NEW
08	2254003-18	RH TAIL PIPE	NEW
09	1254012-7	RH SHROUD	OH
09	2254001-1	RH SHROUD	OH
10	2254026-1	LH SHROUD	OH
11	1250251-14	LH SHROUD	OH
11	650-46	LH SHROUD-BEADED OUTLET	OH
12	0750161-22	2 5/8" CLAMP -NO PIN	NEW
13	0750161-24	2 5/8" CLAMP -PIN	NEW
NS	2254000-SK	SPRING KIT	NEW
NS	77611	GASKET	NEW