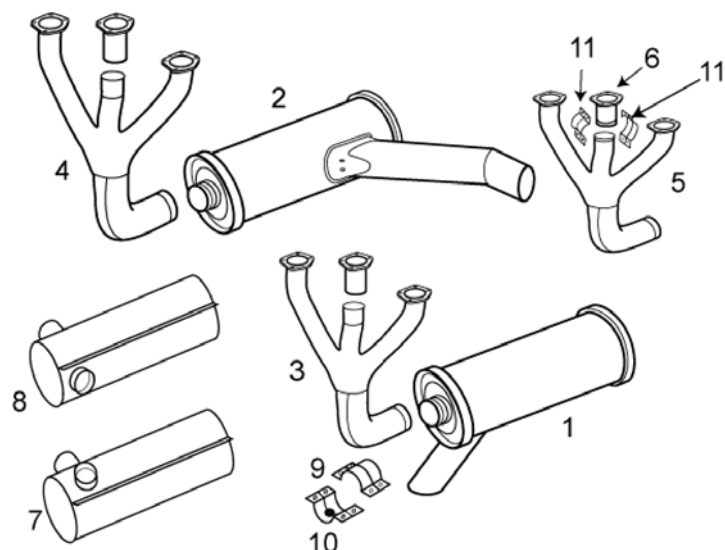


CESSNA**182/185**

-89 muffler commonly used in float plane applications has a thicker muffler (.050) and a tailpipe extension
 -46 stack is 5/8" taller commonly used in float plane applications than -20 stack

A0750161-31 stacks include center riser "slip style" part # 0750238-5

Mufflers have internal baffles and they must be intact to be airworthy. Check collectors for cracking and heat distortion.

| ITEM | OEM PART NO | DESCRIPTION | Condition |
|------|-------------|---------------------------|-----------|
| 01 | A0750161-28 | MUFFLER | NEW |
| 02 | 0750161-89 | MUFFLER (FLOAT PLANE) | OH |
| 03 | A0750238-20 | STACK W/SLIP CTR RISER | NEW |
| 04 | 0750238-47 | STACK 5/8" TALLER | OH |
| 05 | 0750161-31 | STACK W/ BEADED CTR RISER | OH |
| 06 | 0750161-36 | CTR RISER BEADED END | OH |
| 07 | 0750161-40 | SHROUD | OH |
| 08 | 0750161-58 | SHROUD | OH |
| 08 | 0750161-87 | SHROUD | OH |
| 09 | 0750161-22 | 2 5/8" CLAMP -NO PIN | NEW |
| 10 | 0750161-24 | 2 5/8" CLAMP -PIN | NEW |
| 11 | 0750161-25 | 1 3/4" RISER CLAMP HALF | NEW |
| NS | 0750607-4 | OTBD CARB HEAT SHROUD | OH |
| NS | 0750607-5 | INBD CARB HEAT SHROUD | OH |
| NS | 628260 | GASKET | NEW |