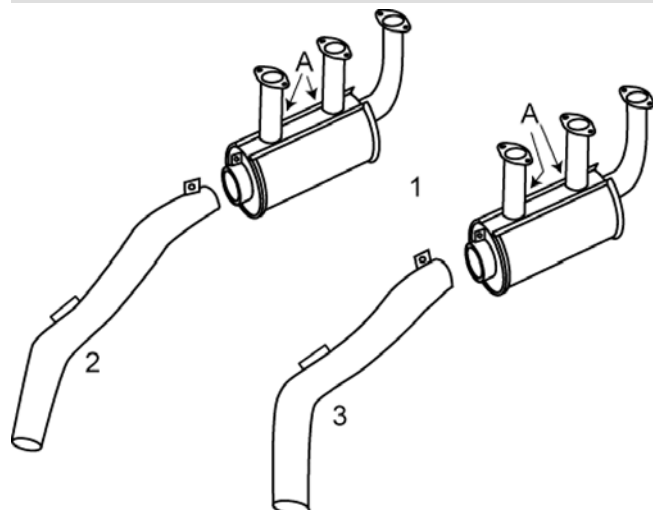


STINSON

108

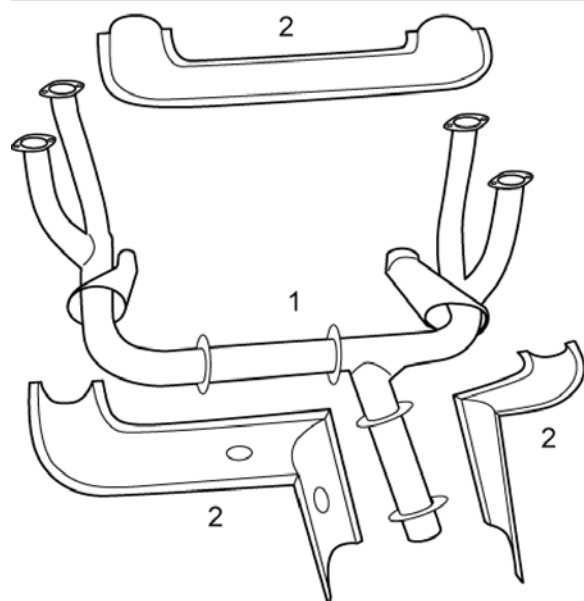


A. Inspects for cracks
Inspect perforated tube

ITEM	OEM PART NO	DESCRIPTION	Condition
01	108-6221702	MUFFLER ASSY W/RISER s/n 1 to 3109	OH
01	108-6222702	MUFFLER ASS W/RISER s/n 3110 + up	OH
02	108-6221711-0	LH TAILPIPE (bolt on) s/n 112 to 3109	OH
03	108-6221711-1	RH TAILPIPE (bolt on) s/n 112 to 3109	OH
NS	108-6221708	PERFORATED TUBE s/n 1 to 3109	OH
NS	108-6222708	PERFORATED TUBE s/n 3110 and up	OH
NS	108-6222711-0	LH TAILPIPE (clamp on) s/n 3110 and up	OH
NS	108-6222711-1	RH TAILPIPE (clamp on) s/n 3110 and up	OH

TAYLORCRAFT

BC 12



Original systems we mild steel
Inspect flanges for distortion and warping

ITEM	OEM PART NO	DESCRIPTION	Condition
01	BC-12	EXHAUST SYSTEM S/S	OH
02	689-012	SHROUD ASSY	OH