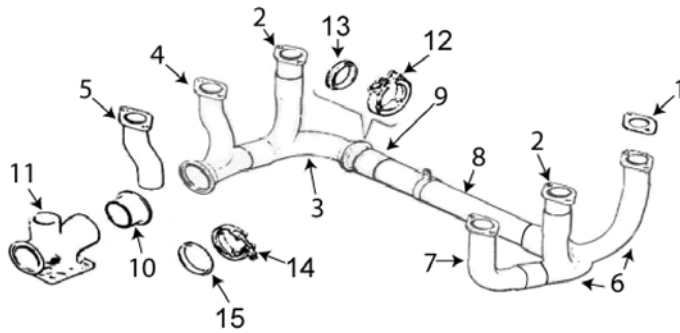


**SOCATA**

**TB 21**



Inspect transition for internal cracks and heat blisters  
 Inspect stacks for cracks and heat distortion

ITEM	OEM PART NO	DESCRIPTION	Condition
01	77611	GASKET	NEW
02	LW12728	ADAPTER CYL # 2 & 3	OH
03	LW19112	RISER CYL # 2	OH
04	LW19114	RISER CYL # 4	OH
05	LW19116	RISER CYL # 6	OH
06	LW19111	RISER CYL # 1 & 3	OH
07	LW19115	RISER CYL # 5	OH
08	LW19276	RH CROSSOVER	OH
09	LW19239	LH CROSSOVER	OH
10	78064	FLANGE	OH
11	LW19084	TRANSITION	OH
12	LW12093-5	CLAMP	NEW
13	78084	GASKET	NEW
14	LW12093-6	CLAMP	NEW
15	78246	GASKET	NEW