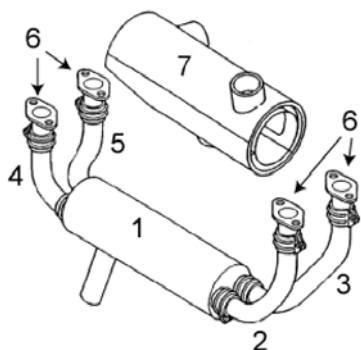


SOCATA

TB 9 & TB 10

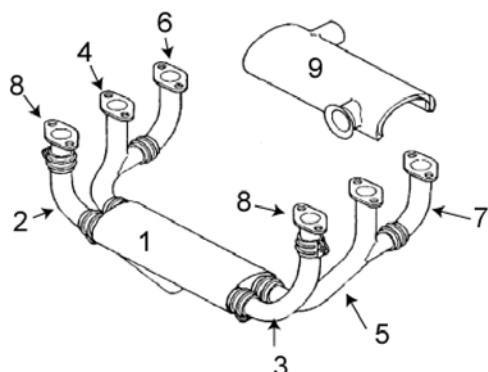
Inspect all beaded ends for heat distortion



ITEM	OEM PART NO	DESCRIPTION	Condition
01	56012001	MUFFLER (ROUND CAN)	OH
02	56006102	LF ELBOW	OH
03	56006103	LR ELBOW	OH
04	56006105	RF ELBOW	OH
05	56006104	RR ELBOW	OH
06	56006001	STUB RISER	OH
07	21-40-01	SHROUD	OH
NS	77611	GASKET	NEW

TB 20

Inspect all beaded ends for heat distortion



ITEM	OEM PART NO	DESCRIPTION	Condition
01	56010001	MUFFLER (OVAL CAN)	OH
02	56000013	RH PIPE #1	OH
03	56000012	LH PIPE CYL #2	OH
04	56000009	RH MANIFOLD CYL #3	OH
05	56000008	LH MANIFOLD CYL# 4	OH
06	56000007	RH PIPE #5	OH
07	56000006	LH PIPE CYL #6	OH
08	56000011	STUB RISER	OH
09	21-40-01	SHROUD	OH
NS	77611	GASKET	NEW