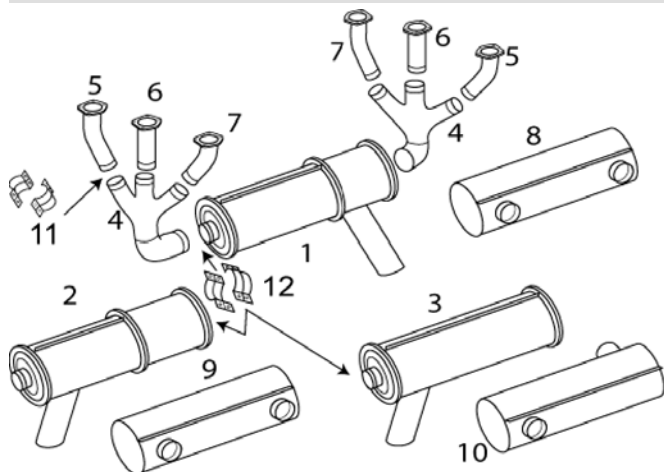


CESSNA

180-182



-9 muffler has the ring close to the tailpipe ~7.5"

-9 Muffler has a longer tailpipe

-12 muffler has the ring opposite side away from tailpipe ~7.5"

-44 muffler has 2 fins running the length of the muffler

-48 collector built up from stamped halves, build with risers for best results

Check collector bodies for heat distortion, cracking and wall thickness. It's important to visually inspect both exterior and interior of collectors, use a awl to check body thickness. Mufflers have internal baffles and they must be intact to be airworthy

ITEM	OEM PART NO	DESCRIPTION	Condition
01	0750130-9	MUFFLER	OH
02	0750130-12	MUFFLER	OH
03	0750130-44	MUFFLER	OH
04	0750130-48	COLLECTOR	OH
05	0750130-3	AFT RISER	OH
06	0750130-5	CTR RISER	OH
07	0750130-4	FWD RISER	OH
08	0750130-11	SHROUD FOR -9 MUFFLER	OH
09	0750130-13	SHROUD FOR -12 MUFFLER	OH
10	0750130-46	SHROUD FOR -44 MUFFLER	OH
11	0750130-31	1 1/2" RISER CLAMP HALF	NEW
12	0750130-42	2 1/8" COLLECTOR TO MUFFLER PIN CLAMP	NEW
NS	628260	GASKET	NEW