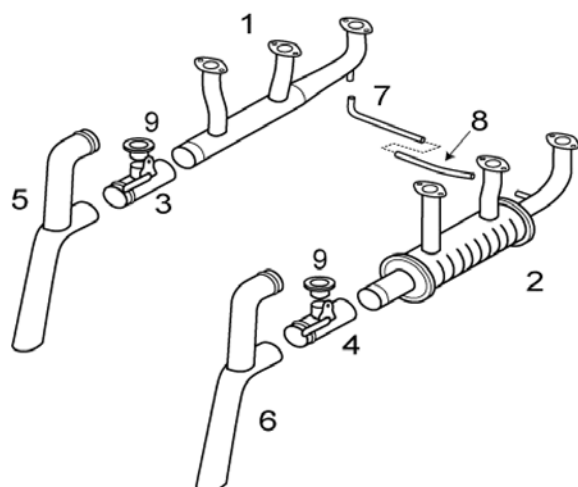


BELLANCA**17-31 ATC**

Inspect riser legs for cracks
 Inspect tailpipes for pitting and wall thickness
 Inspect wastegate shaft and butterfly
 Inspect balance tube for cracks and ensure freedom of slip joint movement
 No flame tubes in mufflers

Waste gate adapter & spring sold separately

ITEM	OEM PART NO	DESCRIPTION	Condition
01	191967-0	LH STACK	OH
02	191672-0	RH MUFFLER	OH
03	191986-30	LH WASTEGATE ASSY	OH
04	191986-20	RH WASTEGATE ASSY	OH
05	191658-10	LH TAILPIPE	OH
06	191654-10	RH TAILPIPE	OH
07	191653	LH BALANCE TUBE	OH
08	191652	RH BALANCE TUBE	OH
09	191986A	WASTE GATE ADAPTER	OH
NS	191842-10	RH SHROUD	OH
NS	191968-0	LH SHROUD	OH
NS	RA77611	GASKET	NEW
NS	RJ4120-11	WASTEGATE SPRING	NEW