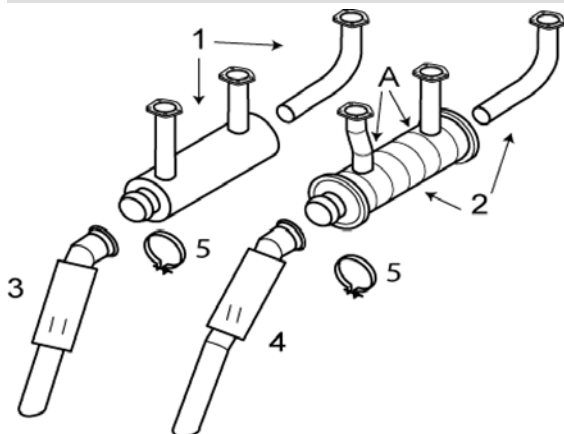


BELLANCA

17-30A (Continental 520)



AD 76-23-03 100 hr. inspection interval for muffler and tailpipe

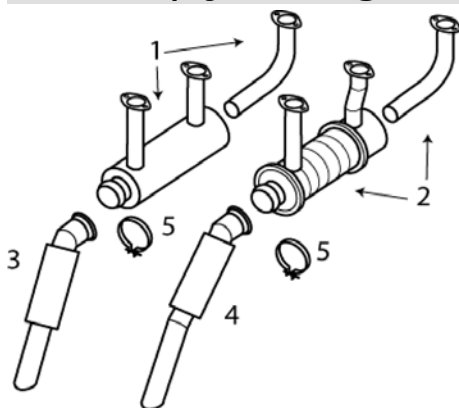
Check aircraft serial number may be eligible for spring kit (650-k) updating muffler and tailpipe to a ball & bell with springs. SN # 30139 + up

Curved riser slips into muffler

No flame tubes in muffler in tailpipe instead
Inspect muffler body for cracks where risers meet up with muffler can

| ITEM | OEM PART NO | DESCRIPTION | Condition |
|------|-------------|-----------------|-----------|
| 01 | 191485-30 | LH MUFFLER ASSY | OH |
| 02 | 191484-10 | RH MUFFLER ASSY | OH |
| 03 | 191927-0 | LH TAILPIPE | OH |
| 04 | 191930-1 | RH TAILPIPE | OH |
| 05 | 099004-254 | TAILPIPE CLAMP | NEW |
| NS | 191427 | RH SHROUD | OH |
| NS | 191959-0 | LH SHROUD | OH |
| NS | 628260 | GASKET | NEW |

17-31A (Lycoming 540)



AD 76-23-03 may apply

Check aircraft serial number may be eligible for spring kit (650-k) updating muffler and tailpipe to a ball & bell with springs.

Curved riser slips into muffler

Inspect muffler body for cracks where riser legs meet muffler can.

No flame tubes in mufflers

| ITEM | OEM PART NO | DESCRIPTION | Condition |
|------|-------------|----------------|-----------|
| 01 | 191744-10 | LH MUFFLER | OH |
| 02 | 191768-10 | RH MUFFLER | OH |
| 03 | 191930-0 | LH TAILPIPE | OH |
| 04 | 191931-0 | RH TAILPIPE | OH |
| 05 | 099004-254 | TAILPIPE CLAMP | NEW |
| NS | 191842-0 | RH SHROUD | OH |
| NS | 191959-0 | LH SHROUD | OH |
| NS | RA77611 | GASKET | NEW |