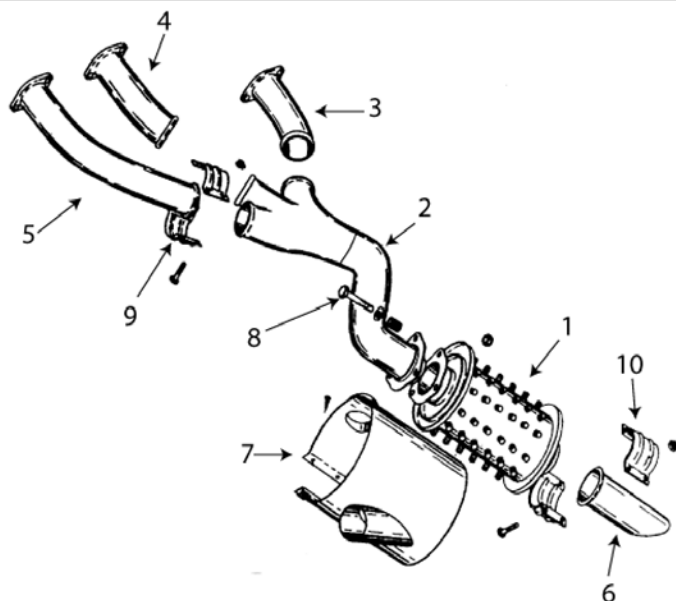


CESSNA

180 EARLY MODEL



Mufflers have internal baffles and they must be intact to be airworthy

Check collector for cracking and heat distortion

ITEM	OEM PART NO	DESCRIPTION	Condition
01	0750290-3	MUFFLER	OH
02	0750290-23	LH COLLECTOR	OH
02	0750290-24	RH COLLECTOR	OH
03	0750290-6	FWD RISER	OH
04	0750290-7	CTR RISER	OH
05	0750290-8	REAR RISER	OH
06	0750290-25	LH TAIL PIPE	OH
06	0750290-26	RH TAIL PIPE	OH
07	0750290-19	RH SHROUD	OH
07	0750290-20	LH SHROUD	OH
07	0750290-27	LH SHROUD	OH
07	0750290-28	RH SHROUD	OH
08	0750290-SK	SPRING KIT	NEW
09	0750290-9	RISER CLAMP 1 1/2"	NEW
10	186-8A	TAILPIPE CLAMP	NEW
NS	628260	GASKET	NEW