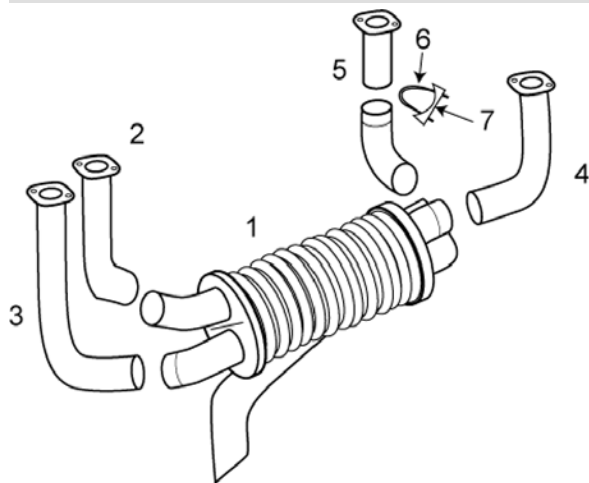


AVIAT
A1A HUSKY

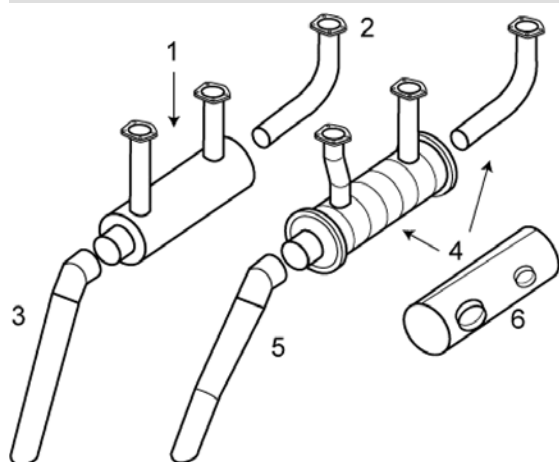
Exhaust manufactured by: Aerospace Manufacturing Inc.



ITEM	OEM PART NO	DESCRIPTION	Condition
01	35650-2	MUFFLER	OH
02	35651-1	RISER	OH
03	35651-2	RISER	OH
04	35651-4	RISER	OH
05	35651-5	RISER ASSY	OH
06	C10Y-30-6C	CLAMP	NEW
07	C10X-30C	CLAMP	NEW
NS	77611	GASKET	NEW

BELLANCA
17-30

AD 76-23-03 100 hr. inspection interval for muffler and tailpipe



Check aircraft serial number may be eligible for spring kit (650-k) updating muffler and tailpipe to a ball & bell with springs. SN # 30139 + up
Curved riser slips into muffler
No flame tubes in muffler in tailpipe instead
Inspect muffler body for cracks where risers meet up with muffler can

ITEM	OEM PART NO	DESCRIPTION	Condition
01	191421	LH MUFFLER	OH
02	191423-1	LH RISER CYL # 6	OH
03	191425-20	LH TAILPIPE	OH
04	191422-10	RH MUFFLER ASSY	OH
05	191425-10	RH TAILPIPE	OH
06	191427	RH MUFFLER SHROUD	OH
NS	628260	GASKET	NEW