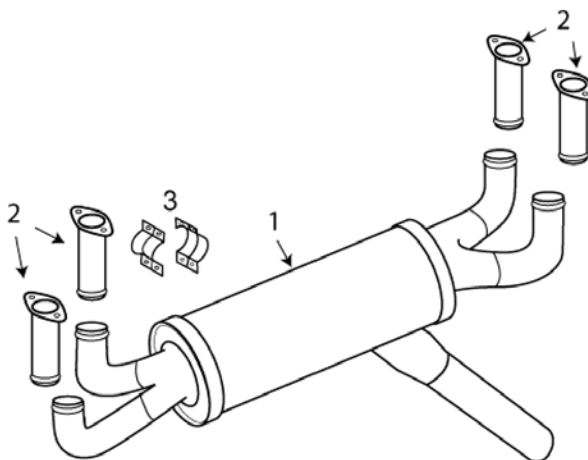


**AMERICAN CHAMPION AIRCRAFT**

**8KCAB**

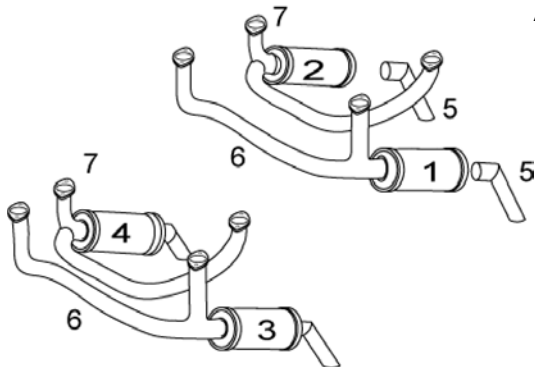


**AD 79-22-01**

Internal baffles are required for mufflers to be airworthy.

ITEM	OEM PART NO	DESCRIPTION	Condition
01	099001-046	MUFFLER	OH
01	099001-163	MUFFLER (360)	OH
01	099001-190	MUFFLER	OH
02	099001-120	STRAIGHT RISER	OH
03	RISER CLAMP	1 3/4" RISER CLAMP	NEW
NS	099001-196	SHROUD	OH
NS	099001-703	SHROUD	OH
NS	77611	GASKET	NEW

**CITABRIA DUAL MUFFLER**



**AD 80-21-06** Every 100hrs. or 12 mo. inspect muffler baffle, replace if any cracks are found.

Internal baffles are required for mufflers to be airworthy.

ITEM	OEM PART NO	DESCRIPTION	Condition
01	3-1079	LH MUFFLER WO/ TP	OH
02	3-1079	RH MUFFLER WO/TP	OH
03	3-1493L	LH MUFFLER	OH
04	3-1493R	RH MUFFLER	OH
05	2-1538	TAILPIPE	OH
06	7-1330-2	FRONT STACK	OH
07	7-1331-2	REAR STACK	OH
NS	4-1103	SHROUD RH	OH
NS	4-1104	RH MUFFLER	OH
NS	4-1105	LH MUFFLER	OH
NS	4-1106	SHROUD LH	OH