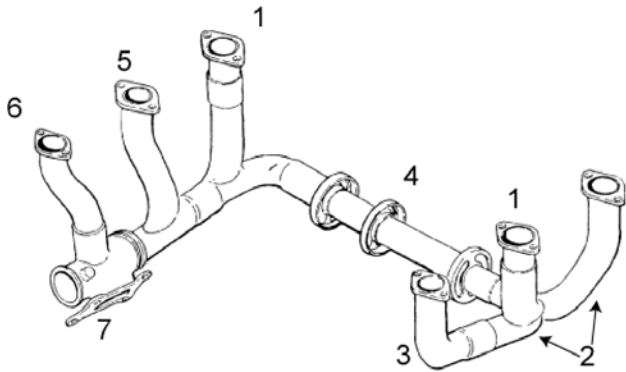


MOONEY

M20M TLS BRAVO



Inspect transition for internal cracks and heat blisters
 Inspect stacks for cracks and heat distortion
 Check for cracks around shroud rings

ITEM	OEM PART NO	DESCRIPTION	Condition
01	LW-12728	CYL #2 & #3 RISER	OH
02	40B19822	CYL #1 & #3 STACK	OH
03	40B19825	CYL #5 RISER	OH
04	40B21089	CROSSOVER & CYL #2	OH
05	40B19824	CYL #4 RISER	OH
06	40B19823	CYL #6 RISER	OH
07	47C19818	TRANSITION	OH
NS	630135-501	TAILPIPE & BYPASS ASSY	OH
NS	640325-501	SHROUD	OH
NS	77611	GASKET	NEW